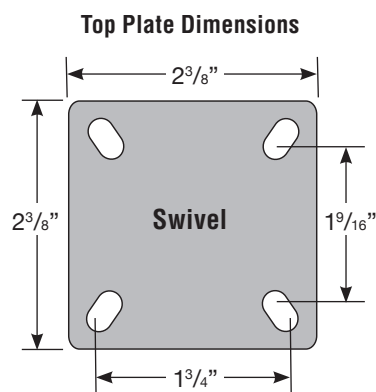




Revvo LH Series Low-Profile Swivel Casters

Features precision ball bearings for ease of movement

- Designed for displays, appliances, business machines, carts, electronic equipment, and other low-profile applications.
- Wide tread to help support heavier loads.
- Has a lower overall height than casters with similar load ratings.
- Polyurethane wheel with a steel core and two ball bearings.



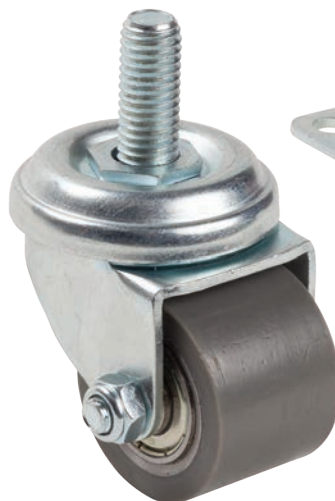
LH top plates have fixing holes to fit 6mm diameter bolts.



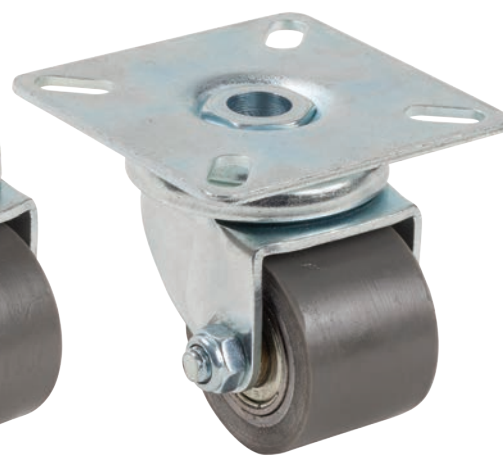
Polyurethane wheel



Bolt hole model



Threaded stem model



Top plate model

LH SERIES CASTERS

Wheel Diameter	Overall Height	Swivel Radius	Tread Width	Load Capacity	Bearing	Wheel Type	Bolt Hole Part #	Threaded Stem Part# (M10 x 30mm stem)	Top Plate Part#
1-3/8"	2"	1-9/32"	1"	220	Precision Ball	Polyurethane	BSLH 035 PS2L	BSLH 035 PS2L-M10	TSLH 035 PS2L

SLH SERIES WHEEL

Wheel Diameter	Tread Width	Hub Length	Bore	Load Capacity	Bearing	Wheel Part #
1-3/8"	1"	1-3/16"	6mm	220	Precision Ball	035 PS2L



The Revvo Caster Company, Inc.

Turn your product designs around

2420 North America Drive, West Seneca, NY 14224

Phone: 716-675-9609 • Fax: 716-677-2363 • Toll-Free: 1-888-883-3596

Email: info@revvocaster.com • www.RevvoCaster.com

