



# JA Series Swivel Jacking Casters

**F**lexello JA Series jacking casters are designed to facilitate movement and quick, accurate adjustment of working platforms, machines, and other applications. Ideal for medium and heavy-duty loads, they feature an electrostatic-sprayed black matte finish.

The JA Series casters are available in sizes of 6" and 8" wheel diameters with load capacities from 880 to 2400 lbs. (400 to 1090 kg). They have a screw jacking system with a 3" lift independent of the swiveling action.

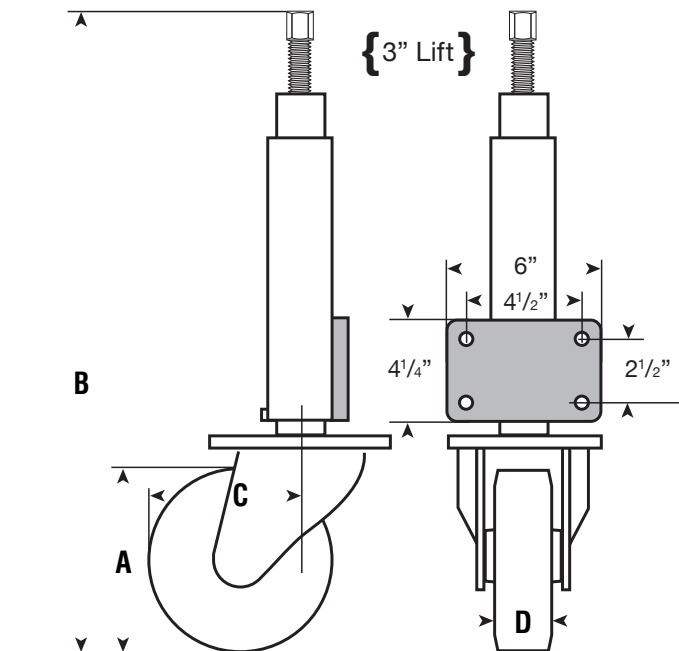


Plate dimensions apply to both the 6" and 8" models.

A = Wheel Diameter    B = Overall Height    C = Swivel Radius    D = Tread Width

## JA SERIES

A	B	C	D	Load Capacity	Bearing	Wheel	Swivel Part #
6"	21-7/8"	5-3/8"	1-3/4"	880	Roller	Rubber on Cast Iron	JA-6RTB
6"	21-7/8"	5-3/8"	1-3/4"	1600	Roller	Polyurethane on Cast Iron	JA-6SUB
6"	21-7/8"	5-3/8"	1-3/4"	2240	Roller	Cast Iron	JA-6CIB
8"	23-7/8"	6-3/8"	2"	1285	Roller	Rubber on Cast Iron	JA-8RTB
8"	23-7/8"	6-3/8"	2"	2300	Roller	Polyurethane on Cast Iron	JA-8SUB
8"	23-7/8"	6-3/8"	2"	2400	Roller	Cast Iron	JA-8CIB



JA Series jacking casters feature a 3" lift independent of the swiveling action.

Operation is by means of a 30mm A.F. ratchet lever or conventional spanner or hexagonal socket, which must be removed immediately after the jacking operation.



**The Revvo Caster Company, Inc.**

Turn your product designs around

2420 North America Drive, West Seneca, NY 14224

Phone: 716-675-9609 • Fax: 716-677-2363 • Toll-Free: 1-888-883-3596

Email: info@revvocaster.com • www.RevvoCaster.com

