



# TwinTech Ultimate

**Medical and institutional casters designed for high performance at a low cost**

## **Strong**

Die-cast aluminum body provides high strength without the material cost or greater weight of other caster types.

## **Maneuverable**

Ball bearing swivel head and sealed precision wheel bearings for ease of movement.

## **Durable**

Nylon 6 molded wheels are rugged and light-weight.

## **Quiet**

Hard-wearing polyurethane tires provide a smooth, quiet ride.

## **Attractive**

Sleek, aesthetic design with a high-quality, RAL 9003 white finish.



## **Solus casters**

Engineered for medical and institutional applications, TwinTech Solus threaded-stem casters are available as free swivel or with total lock or directional lock brakes.

## **Combi central-locking casters**

Combi is a specially designed set of casters that lock simultaneously. They are ideal for hospital beds and other complex medical equipment.

- Maintenance-free braking - no adjustments required
- Swivel lock and brakes operate securely and independently, improving performance
- Dynamic braking allows for operation of brake while casters are in motion without damage to the mechanism
- Enhanced, reliable design for improved performance with fewer components



Toll-Free: 1-888-883-3596  
[www.RevvoCaster.com](http://www.RevvoCaster.com)

# TwinTech Ultimate Solus Conforms to ISO 22881: 2004

## Applications:

- Day care and long-term care beds
- Ultrasound units
- Patient hoists
- Laser surgery equipment
- Other medical equipment requiring high performance in an attractive caster

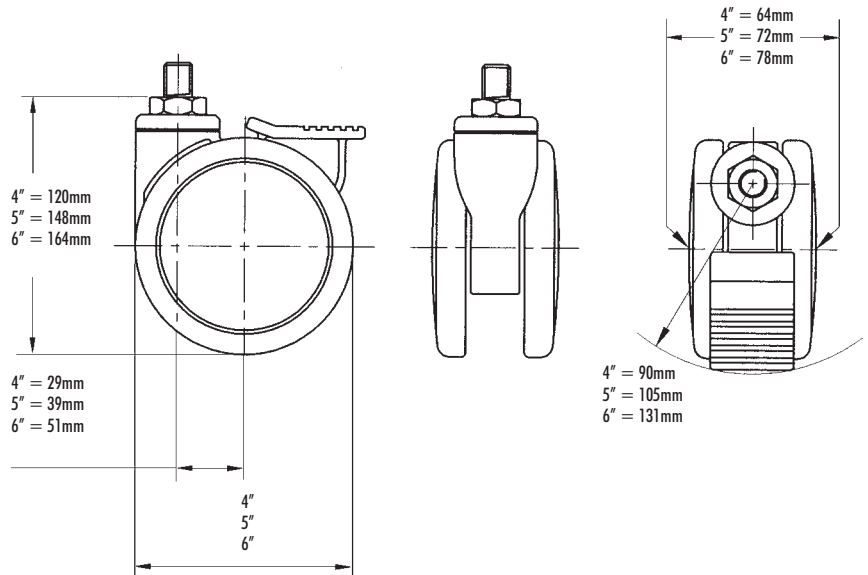
## Features:

- Threaded stem
- Free swivel, total lock, and directional lock functionality available
- RAL 9003 white finish wheels with gray polyurethane tires



## Options:

- Alternative stem and thread sizes including 1/2" & 5/8" - availability dependent on quantity ordered
- Custom RAL wheel colors
- Electrically-conductive and washable versions



Wheel Dia.	Overall Height	Swivel Radius	Load Capacity	Stem (mm)	Bearing	Wheel Type	Free Swivel Part Number	Total Lock Part Number	Total & Directional Lock Part Number
4"	4.7"	3.6"/3.7"	275 lbs.	M12 x 20	Precision Ball	Gray Polyurethane	3.450440900700010805	3.450240900720010805	3.450740400750010805
5"	5.8"	4.1"/4.1"	297 lbs.	M16 x 20	Precision Ball	Gray Polyurethane	3.550440401700010805	3.550240401720010805	3.550740401750010805
6"	6.7"	5.2"/5.2"	330 lbs.	M16 x 20	Precision Ball	Gray Polyurethane	3.650440401700010805	3.650240401720010805	3.650740401750010805

