



ET SERIES

Fabricated Steel

Designed for moving moderate loads via manual propulsion, Revvo ET Series casters are available in two wheel sizes (4" & 5") with load capacities ranging from 264 to 550 lbs. Swivel models feature a double ball raceway for smooth directional movement plus the capability to withstand shock loading. Wheels are available in black nylon, rubber-on-nylon, and polyurethane-on-nylon.

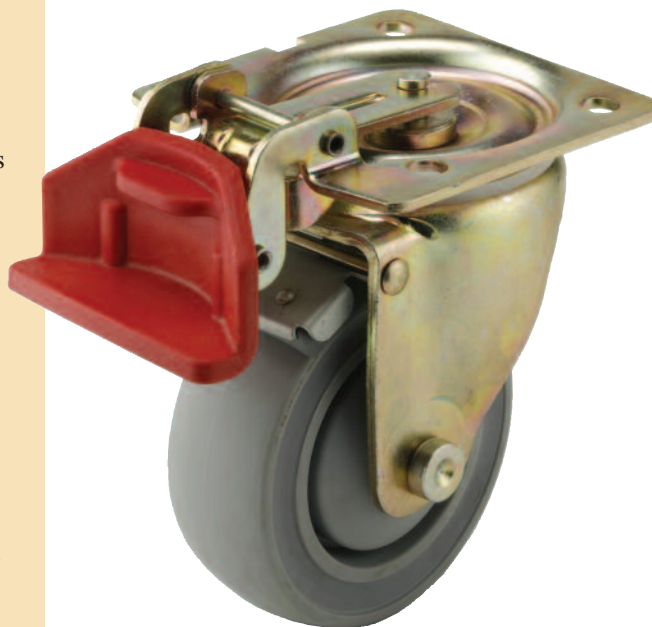
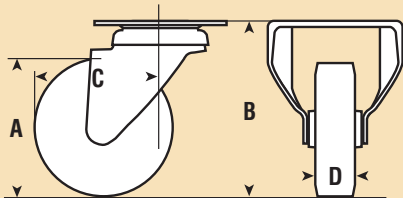
Threadguards to prevent debris from binding the wheel are standard with some wheel types. (Contact factory for details.)

Fixed-Position Brake

Easy-to-access foot brake is attached to the top plate so the brake is always in the same position regardless of which way the swivel wheel is facing. (Available for all 4" diameter wheels only.)

Ideal for:

- Grocery roll pallets that lock inside of trucks
- Point-of-sale displays
- Warehouse racks
- Medical and hospital carts
- Mobile appliances
- A/V equipment



Swivel model with fixed-position brake



Swivel model with standard swivel top plate



Fixed (rigid) model with oblong top plate

A = Wheel Diameter B = Overall Height C = Swivel Radius D = Tread Width

ET SERIES					Top Plate			
A	B	C	D	Load Capacity	Bearing	Wheel	Swivel Part #	Fixed Part #
4"	5"	3"	1-1/4"	550	Precision Ball	Black Nylon	TSET 100 BN2T	TFET 100 BN2T
4"	5"	3"	1-1/4"	550	Roller	Polyurethane-on-Nylon	TSET 100 PN1T	TFET 100 PN1T
4"	5"	3"	1-3/16"	264	Precision Ball	Rubber-on-Nylon	TSET 100 BP2T	TFET 100 BP2T
5"	6"	3-1/2"	1-1/4"	550	Precision Ball	Black Nylon	TSET 125 BN2T	TFET 125 BN2T
5"	6"	3-1/2"	1-1/4"	550	Roller	Polyurethane-on-Nylon	TSET 125 PN1T	TFET 125 PN1T
5"	6"	3-1/2"	1-3/16"	308	Precision Ball	Rubber-on-Nylon	TSET 125 BP2T	TFET 125 BP2T

To order brake (Swivel casters only): add suffix B to Swivel Part #. For example, TSET 100 BN2T-B is a 4" diameter swivel caster with a black nylon wheel and precision ball bearing with a load capacity of 550 lbs.

A = Wheel Diameter B = Overall Height C = Swivel Radius D = Tread Width

ET SERIES					Fixed-Position Brake		
A	B	C	D	Load Capacity	Bearing	Wheel	Swivel Part #
4"	5-9/16"	3"	1-1/4"	550	Precision Ball	Black Nylon	TSET 100 BN2T-FB
4"	5-9/16"	3"	1-1/4"	550	Roller	Polyurethane-on-Nylon	TSET 100 PN1T-FB
4"	5-9/16"	3"	1-3/16"	264	Precision Ball	Rubber-on-Nylon	TSET 100 BP2T-FB

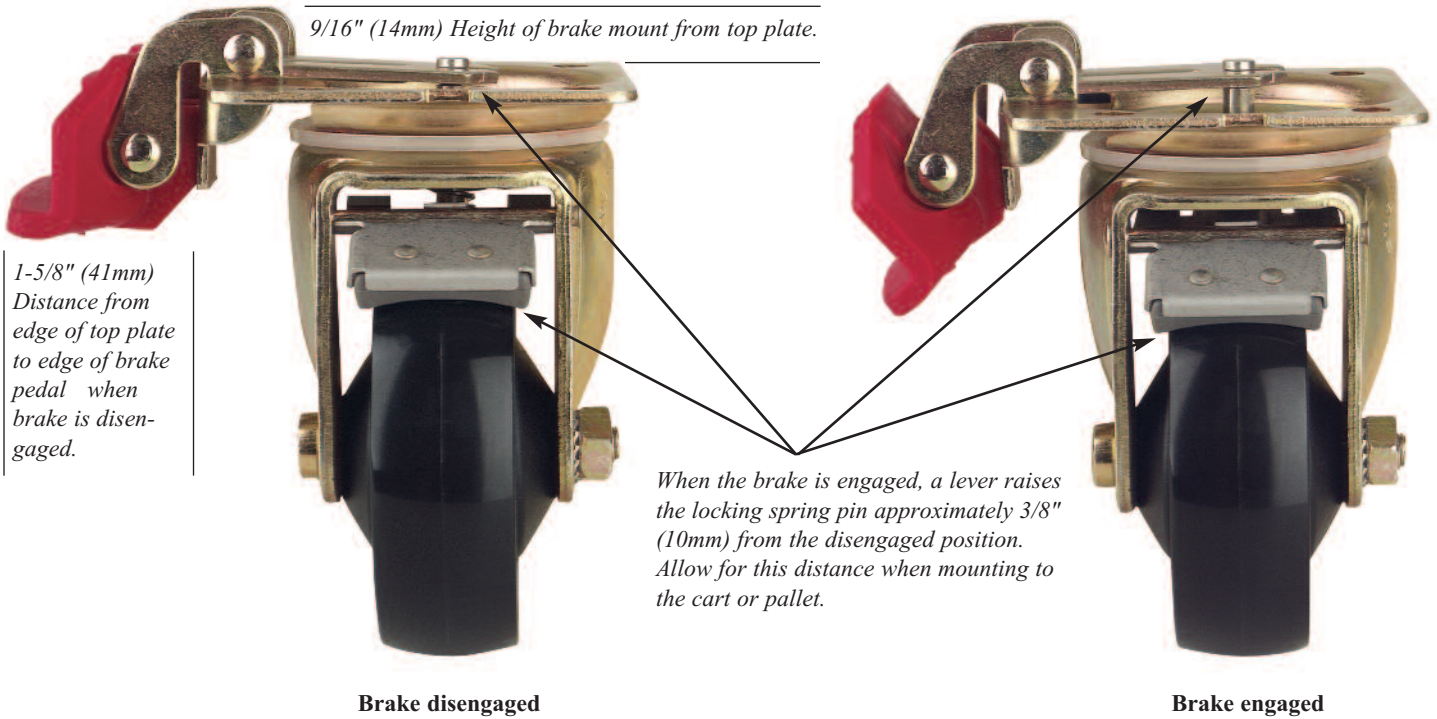


The Revvo Caster Company, Inc.

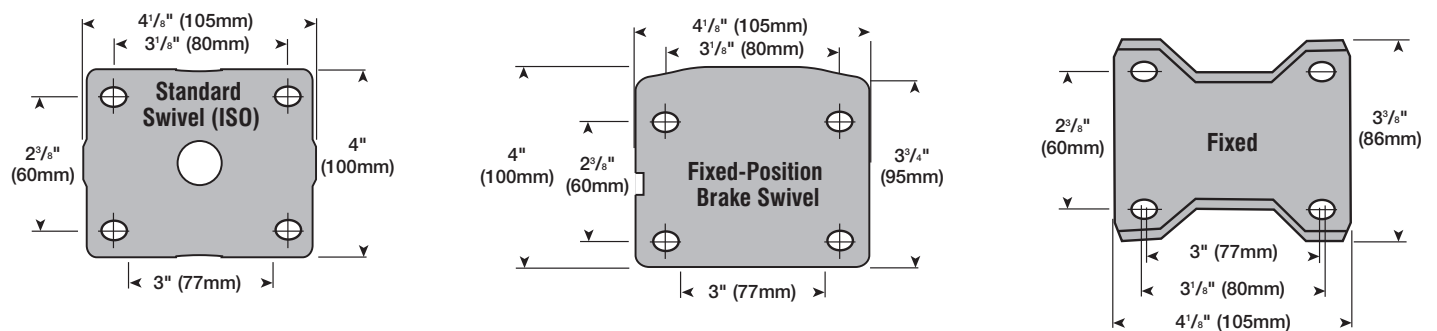
Turn your product designs around

ET Series Fabricated Steel Casters

Fixed-position brake provides easy access regardless of which direction the swivel caster faces. (Available for all 4" diameter wheels only.)



Top Plates



TSET/TFET top plates are 1/8" (3mm) thick and have fixing holes to suit 5/16" (8mm) diameter bolts.