

TwinTech Ultimate Combi Conforms to ISO 22882: 2004

Applications:

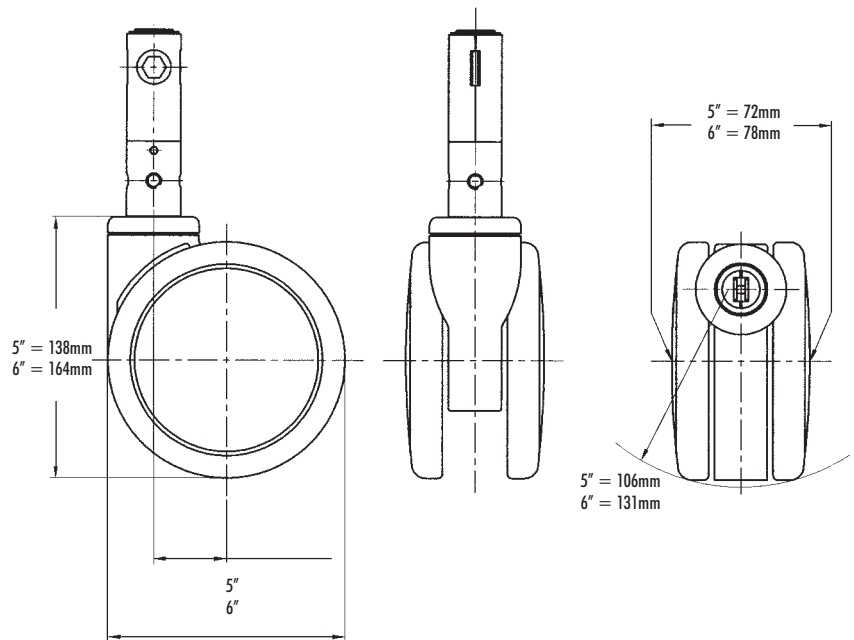
- Hospital beds
- Day care and long-term care beds
- Anesthesia machines
- Imaging equipment
- Laser surgery equipment
- Other complex medical equipment

Features:

- 45-degree cam movement with free swivel, total lock, and directional lock functionality available
- 28mm x 98mm and 32mm x 52mm central-locking stems
- RAL 9003 white finish wheels with gray polyurethane tires

Options:

- Alternative stem and thread sizes including 1/2" & 5/8" - availability dependent on quantity ordered
- 30-degree cam movement
- 25mm x 32mm central-locking stem for total lock brake
- Custom RAL wheel colors
- Electrically-conductive and washable versions



Type	Wheel Dia.	Overall Height	Swivel Radius	Load Capacity	Stem (mm)	Bearing	Wheel Type	Part Number	Locking Position
Free Swivel	5"	5.4"	4.1"	297 lbs.	27.8 x 40	Precision Ball	Gray Polyurethane	3.551440400100010805	
Free Swivel	5"	5.4"	4.1"	297 lbs.	32 x 40	Precision Ball	Gray Polyurethane	3.555440400100010805	
Free Swivel	5"	5.8"	4.1"	297 lbs.	25 x 31	Precision Ball	Gray Polyurethane	3.559440420300010805	
Free Swivel	6"	6.5"	5.2"	330 lbs.	27.8 x 40	Precision Ball	Gray Polyurethane	3.651440400100010805	
Free Swivel	6"	6.5"	5.2"	330 lbs.	32 x 40	Precision Ball	Gray Polyurethane	3.655440400100010805	
Total Lock	5"	5.4"	4.1"	297 lbs.	27.8 x 98	Precision Ball	Gray Polyurethane	3.551240400200010805	
Total Lock	5"	5.4"	4.1"	297 lbs.	32 x 52	Precision Ball	Gray Polyurethane	3.555240419800010805	
Total Lock	5"	5.8"	4.1"	297 lbs.	25 x 31	Precision Ball	Gray Polyurethane	3.559240420400010805	
Total Lock	6"	6.5"	5.2"	330 lbs.	27.8 x 98	Precision Ball	Gray Polyurethane	3.651240400200010805	
Total Lock	6"	6.5"	5.2"	330 lbs.	32 x 52	Precision Ball	Gray Polyurethane	3.655240419800010805	
Total & Directional Lock	5"	5.4"	4.1"	297 lbs.	27.8 x 98	Precision Ball	Gray Polyurethane	3.551340400300010805	Mode 03
Total & Directional Lock	5"	5.4"	4.1"	297 lbs.	32 x 52	Precision Ball	Gray Polyurethane	3.555340400300010805	Mode 03
Total & Directional Lock	6"	6.5"	5.2"	330 lbs.	27.8 x 98	Precision Ball	Gray Polyurethane	3.651340400300010805	Mode 03
Total & Directional Lock	6"	6.5"	5.2"	330 lbs.	32 x 52	Precision Ball	Gray Polyurethane	3.655340400300010805	Mode 03
Total & Directional Lock	5"	5.4"	4.1"	297 lbs.	27.8 x 98	Precision Ball	Gray Polyurethane	3.551340400400010805	Mode 04
Total & Directional Lock	5"	5.4"	4.1"	297 lbs.	32 x 52	Precision Ball	Gray Polyurethane	3.555340400400010805	Mode 04
Total & Directional Lock	6"	6.5"	5.2"	330 lbs.	27.8 x 98	Precision Ball	Gray Polyurethane	3.651340400400010805	Mode 04
Total & Directional Lock	6"	6.5"	5.2"	330 lbs.	32 x 52	Precision Ball	Gray Polyurethane	3.655340400400010805	Mode 04



Combi Central-locking Caster Sets - Designed to lock all casters in a set simultaneously

- Fully-enclosed, positive mechanical brake and locking system
- Clean, streamlined appearance with exceptional mobility and tracking performance
- Virtually unlimited configurations can be accommodated using this versatile system

Total Lock Brake

The brake simultaneously locks the wheel rotation and swiveling action. Four casters will completely mobilize the equipment.

Total & Directional Lock Brake

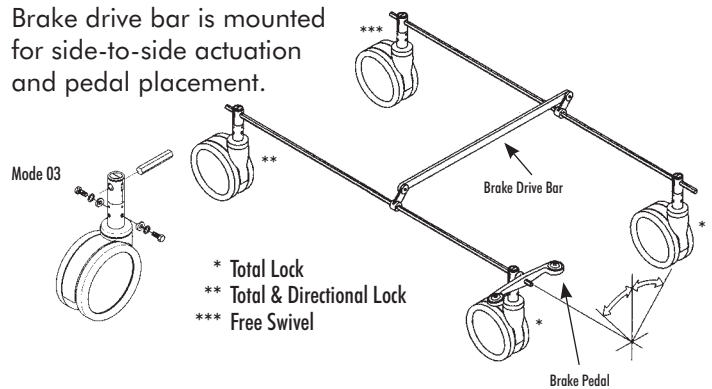
These casters have two brake positions: total lock and swivel lock only. Using one or two of these casters in a set enables the equipment to be moved easily in a straight line and steered around corners in a controlled fashion when "directional lock" is selected.

Free Swivel

No braking action.

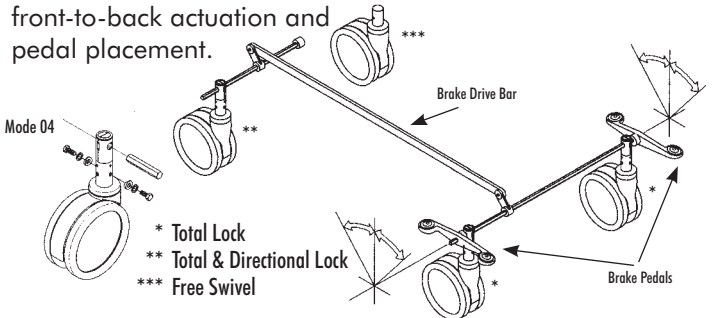
Mode 03

Brake drive bar is mounted for side-to-side actuation and pedal placement.



Mode 04

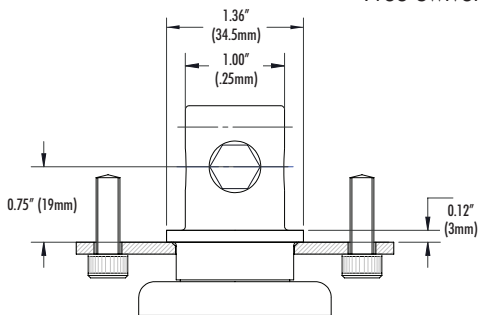
Brake drive bar is mounted for front-to-back actuation and pedal placement.



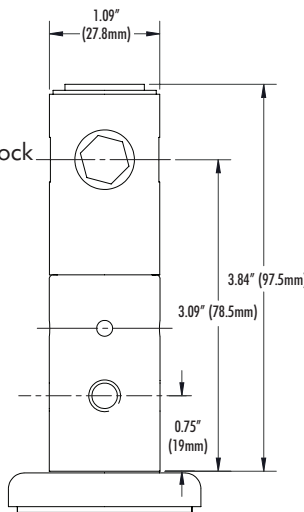
Typical configurations for TwinTech Ultimate Combi casters

Stem Options

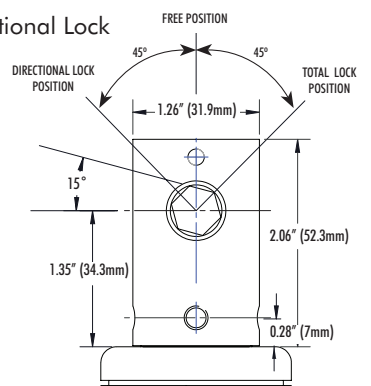
5" Casters
Total Lock
Free Swivel



5" & 6" Casters
Total Lock
Total & Directional Lock
Free Swivel



5" & 6" Casters
Total Lock
Total & Directional Lock
Free Swivel



Visit our website or call us toll-free for more information about our complete line of medical casters.



The Revvo Caster Company, Inc.
Turn your product designs around

The Revvo Caster Company, Inc., 2420 North America Drive, West Seneca, NY 14224
Phone: 716-675-9609 • Fax: 716-677-2363 • Toll-Free: 1-888-883-3596
Email: info@revvocaster.com • www.RevvoCaster.com

