



TwinTech Ultimate

Medical and institutional casters designed for high performance at a low cost

Strong

Die-cast aluminum body provides high strength without the material cost or greater weight of other caster types.

Maneuverable

Ball bearing swivel head and sealed precision wheel bearings for ease of movement.

Durable

Nylon 6 molded wheels are rugged and light-weight.

Quiet

Hard-wearing polyurethane tires provide a smooth, quiet ride.

Hygienic

Available with antimicrobial treatment to inhibit the growth of microorganisms.

Attractive

Sleek, aesthetic design with a high-quality, RAL 9003 white finish.



Solus casters

Engineered for medical and institutional applications, TwinTech Solus threaded-stem casters are available as free swivel or with total lock or directional lock brakes.

Combi central-locking casters

Combi is a specially designed set of casters that lock simultaneously. They are ideal for hospital beds and other complex medical equipment.

- Maintenance-free braking - no adjustments required
- Swivel lock and brakes operate securely and independently, improving performance
- Dynamic braking allows for operation of brake while casters are in motion without damage to the mechanism
- Enhanced, reliable design for improved performance with fewer components

SUPPRESS antimicrobial treatment

TwinTech Ultimate caster wheels can be treated with SUPPRESS antimicrobial compound to inhibit the growth of bacteria, including strains of MRSA, E. coli, and C. difficile.

This inorganic active ingredient remains within the polymer and is released continuously to the surface of the wheel. SUPPRESS is an effective way to preserve the life of the wheel as it is unaffected by chips, scratches and abrasions.



Toll-Free: 1-888-883-3596
www.RevvoCaster.com

TwinTech Ultimate Solus Conforms to ISO 22881: 2004

Applications:

- Day care and long-term care beds
- Ultrasound units
- Patient hoists
- Laser surgery equipment
- Other medical equipment requiring high performance in an attractive caster

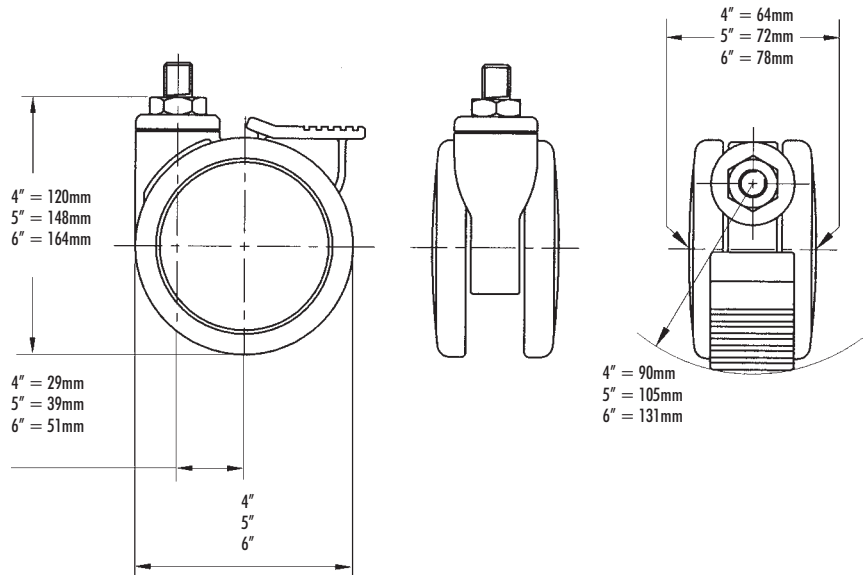
Features:

- Threaded stem
- Free swivel, total lock, and directional lock functionality available
- RAL 9003 white finish wheels with gray polyurethane tires



Options:

- Alternative stem and thread sizes including 1/2" & 5/8" - availability dependent on quantity ordered
- Custom RAL wheel colors
- Electrically-conductive and washable versions
- SUPPRESS antimicrobial treatment (consult factory)



Wheel Dia.	Overall Height	Swivel Radius	Load Capacity	Stem (mm)	Bearing	Wheel Type	Free Swivel Part Number	Total Lock Part Number	Total & Directional Lock Part Number
4"	4.7"	3.6"/3.7"	275 lbs.	M12 x 20	Precision Ball	Gray Polyurethane	3.450440900700010805	3.450240900720010805	3.450740400750010805
5"	5.8"	4.1"/4.1"	297 lbs.	M16 x 20	Precision Ball	Gray Polyurethane	3.550440401700010805	3.550240401720010805	3.550740401750010805
6"	6.7"	5.2"/5.2"	330 lbs.	M16 x 20	Precision Ball	Gray Polyurethane	3.650440401700010805	3.650240401720010805	3.650740401750010805



Call Toll-Free 1-888-883-3596 or Visit www.RevvoCaster.com

TwinTech Ultimate Combi Conforms to ISO 22882: 2004

Applications:

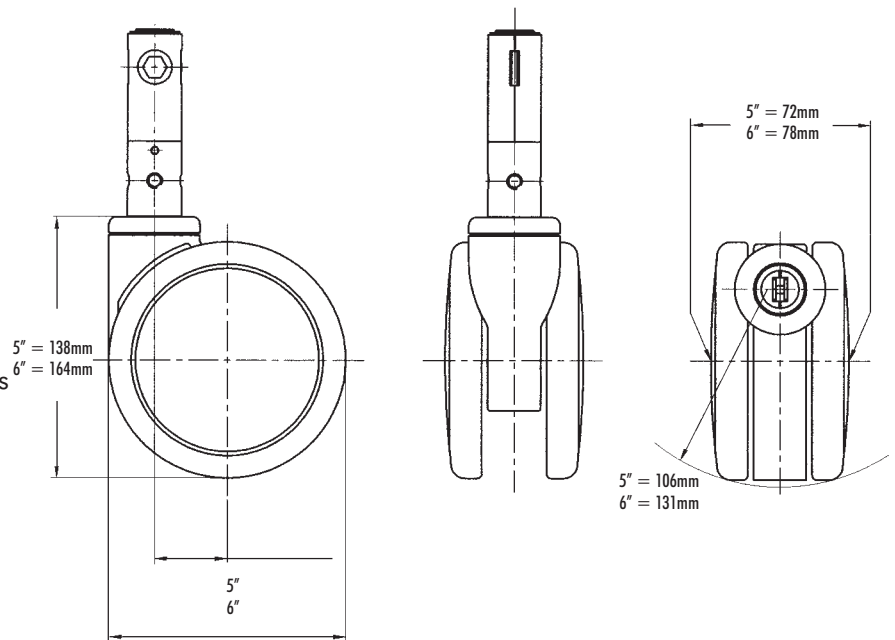
- Hospital beds
- Day care and long-term care beds
- Anesthesia machines
- Imaging equipment
- Laser surgery equipment
- Other complex medical equipment

Features:

- 45-degree cam movement with free swivel, total lock, and directional lock functionality available
- 28mm x 98mm and 32mm x 52mm central-locking stems
- RAL 9003 white finish wheels with gray polyurethane tires

Options:

- Alternative stem and thread sizes including 1/2" & 5/8" - availability dependent on quantity ordered
- 30-degree cam movement
- 25mm x 32mm central-locking stem for total lock brake
- Custom RAL wheel colors
- Electrically-conductive and washable versions
- SUPPRESS antimicrobial treatment (consult factory)



Type	Wheel Dia.	Overall Height	Swivel Radius	Load Capacity	Stem (mm)	Bearing	Wheel Type	Part Number	Locking Position
Free Swivel	5"	5.4"	4.1"	297 lbs.	27.8 x 40	Precision Ball	Gray Polyurethane	3.551440400100010805	
Free Swivel	5"	5.4"	4.1"	297 lbs.	32 x 40	Precision Ball	Gray Polyurethane	3.555440400100010805	
Free Swivel	5"	5.8"	4.1"	297 lbs.	25 x 31	Precision Ball	Gray Polyurethane	3.5594404020300010805	
Free Swivel	6"	6.5"	5.2"	330 lbs.	27.8 x 40	Precision Ball	Gray Polyurethane	3.651440400100010805	
Free Swivel	6"	6.5"	5.2"	330 lbs.	32 x 40	Precision Ball	Gray Polyurethane	3.655440400100010805	
Total Lock	5"	5.4"	4.1"	297 lbs.	27.8 x 98	Precision Ball	Gray Polyurethane	3.551240400200010805	
Total Lock	5"	5.4"	4.1"	297 lbs.	32 x 52	Precision Ball	Gray Polyurethane	3.555240419800010805	
Total Lock	5"	5.8"	4.1"	297 lbs.	25 x 31	Precision Ball	Gray Polyurethane	3.559240420400010805	
Total Lock	6"	6.5"	5.2"	330 lbs.	27.8 x 98	Precision Ball	Gray Polyurethane	3.651240400200010805	
Total Lock	6"	6.5"	5.2"	330 lbs.	32 x 52	Precision Ball	Gray Polyurethane	3.655240419800010805	
Total & Directional Lock	5"	5.4"	4.1"	297 lbs.	27.8 x 98	Precision Ball	Gray Polyurethane	3.551340400300010805	Mode 03
Total & Directional Lock	5"	5.4"	4.1"	297 lbs.	32 x 52	Precision Ball	Gray Polyurethane	3.555340400300010805	Mode 03
Total & Directional Lock	6"	6.5"	5.2"	330 lbs.	27.8 x 98	Precision Ball	Gray Polyurethane	3.651340400300010805	Mode 03
Total & Directional Lock	6"	6.5"	5.2"	330 lbs.	32 x 52	Precision Ball	Gray Polyurethane	3.655340400300010805	Mode 03
Total & Directional Lock	5"	5.4"	4.1"	297 lbs.	27.8 x 98	Precision Ball	Gray Polyurethane	3.551340400400010805	Mode 04
Total & Directional Lock	5"	5.4"	4.1"	297 lbs.	32 x 52	Precision Ball	Gray Polyurethane	3.555340400400010805	Mode 04
Total & Directional Lock	6"	6.5"	5.2"	330 lbs.	27.8 x 98	Precision Ball	Gray Polyurethane	3.651340400400010805	Mode 04
Total & Directional Lock	6"	6.5"	5.2"	330 lbs.	32 x 52	Precision Ball	Gray Polyurethane	3.655340400400010805	Mode 04



Combi Central-locking Caster Sets - Designed to lock all casters in a set simultaneously

- Fully-enclosed, positive mechanical brake and locking system
- Clean, streamlined appearance with exceptional mobility and tracking performance
- Virtually unlimited configurations can be accommodated using this versatile system

Total Lock Brake

The brake simultaneously locks the wheel rotation and swiveling action. Four casters will completely mobilize the equipment.

Total & Directional Lock Brake

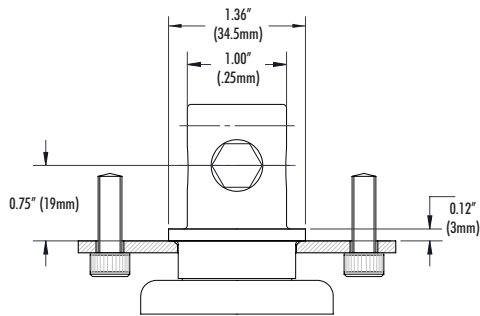
These casters have two brake positions: total lock and swivel lock only. Using one or two of these casters in a set enables the equipment to be moved easily in a straight line and steered around corners in a controlled fashion when "directional lock" is selected.

Free Swivel

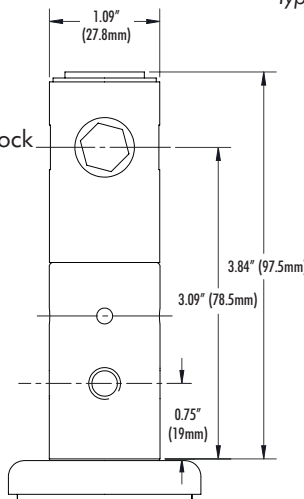
No braking action.

Stem Options

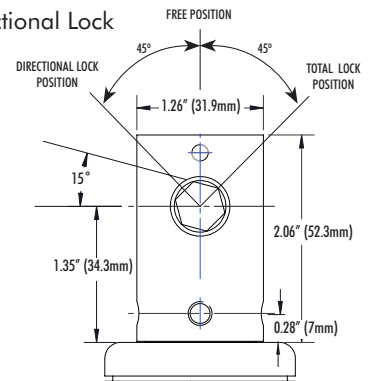
5" Casters
Total Lock
Free Swivel



5" & 6" Casters
Total Lock
Total & Directional Lock
Free Swivel

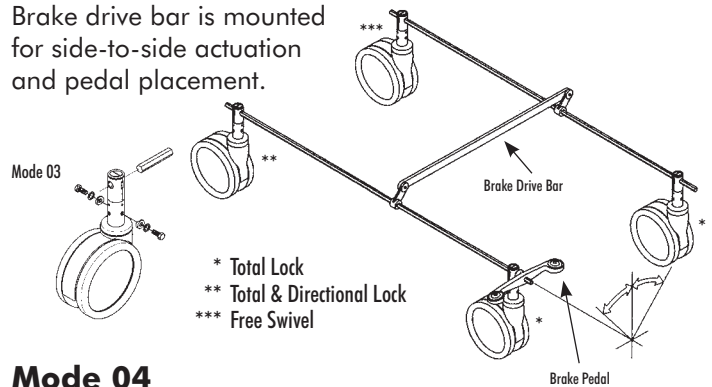


5" & 6" Casters
Total Lock
Total & Directional Lock
Free Swivel



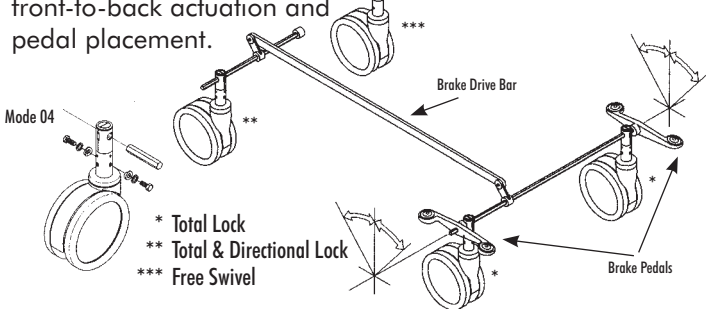
Mode 03

Brake drive bar is mounted for side-to-side actuation and pedal placement.



Mode 04

Brake drive bar is mounted for front-to-back actuation and pedal placement.



Typical configurations for TwinTech Ultimate Combi casters

Accessories

- Universal (left or right-side) function
- Zinc-alloy construction with chrome-plated finish
- Includes M6 x 10 grubscrew



Double Foot Pedal Model #CPD01-00



Linkage (long) Model #CLL01-00



Linkage (short) Model #CSL01-00

Visit our website or call us toll-free for more information about our complete line of medical casters.



The Revvo Caster Company, Inc.

Turn your product designs around

The Revvo Caster Company, Inc., 2420 North America Drive, West Seneca, NY 14224

Phone: 716-675-9609 • Fax: 716-677-2363 • Toll-Free: 1-888-883-3596

Email: info@revvocaster.com • www.RevvoCaster.com

