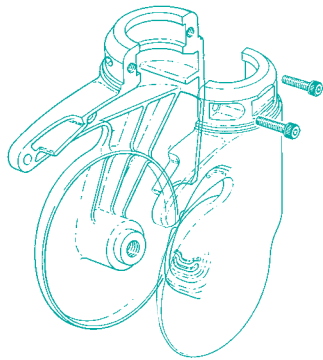


## SingleTech Solus Specifications

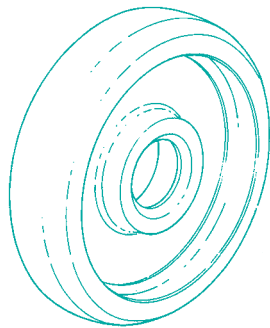


### Body and Wheel Centers

- Material chosen for light-weight, high load capacity, resistance to abuse, electrical safety and finish characteristics.
- Body consists of two pressure-diecast aluminum shells.
- Wheel center is pressure-diecast zinc alloy or nylon.

### Tires

- Polyurethane and rubber.
- All tires are molded and mechanically locked onto the wheel center.
- Tire profiles to suit hard and soft floor surfaces.
- Gray polyurethane with extremely hard wearing properties for temperatures up to 176°F (80°C). Low rolling resistance and very high load capacity. Hardness 90° Shore A.
- Gray, non-marking rubber for softer ride and temperatures up to 149°F (65°C). Hardness 65° Shore A.



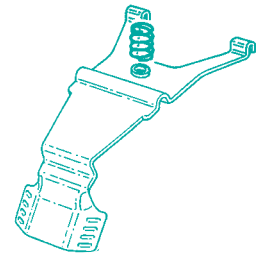
### Bearings

- Sealed precision ball bearings are fitted as standard to headwork and wheel, ensuring high dynamic performance and low rolling resistance.



### Brake

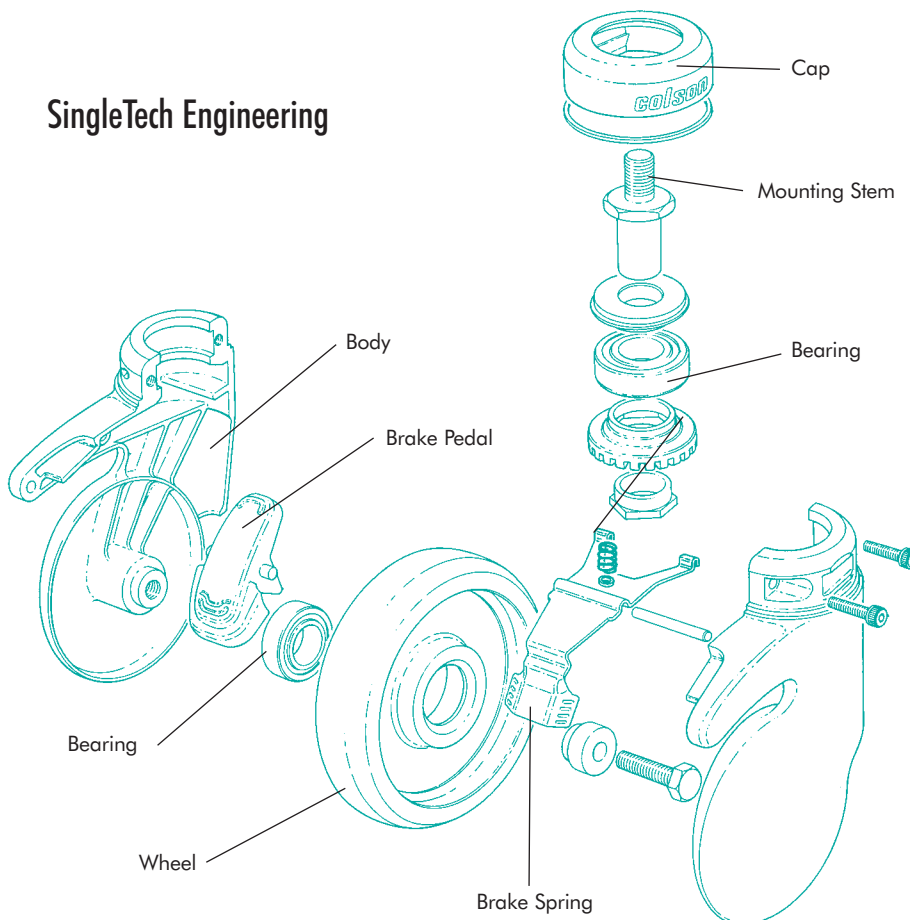
- A progressive brake mechanism grips the flanks of the tires without affecting the tread of the wheel, thus reducing tire wear.



### Maintenance

- Minimal wheel lubrication may be needed in extreme conditions.
- The design makes it virtually impossible for dirt to penetrate; however, an inventive sliding top cover reveals mounting bolts. This frees one shell for easy cleaning or maintenance, if required, with the caster still in service.

## SingleTech Engineering



### Ordering Options

- Body and wheel hubs can be powder coated in virtually any color to match existing equipment. (Consult factory for pricing and set-up charges.)
- Epoxy powder coating is available to meet application requirements.
- Polyurethane tires can be molded in a selection of color, hardness, or electrical characteristics. Standard color - gray.
- Non-staining rubber tires can be molded in a selection of hardness or electrical characteristics. Standard color - gray.
- Special "Gold Seal" version provides 72-hour salt spray protection through special plating quality and additional seals, for regular autoclaving or steam cleaning. (Consult factory for pricing and set-up charges.)
- Available with the following brake options:
  1. Wheel lock
  2. Directional lock
  3. Total lock
- Caster construction for non-magnetic characteristics.
- Anti-static rubber, nylon, or polyurethane tires.

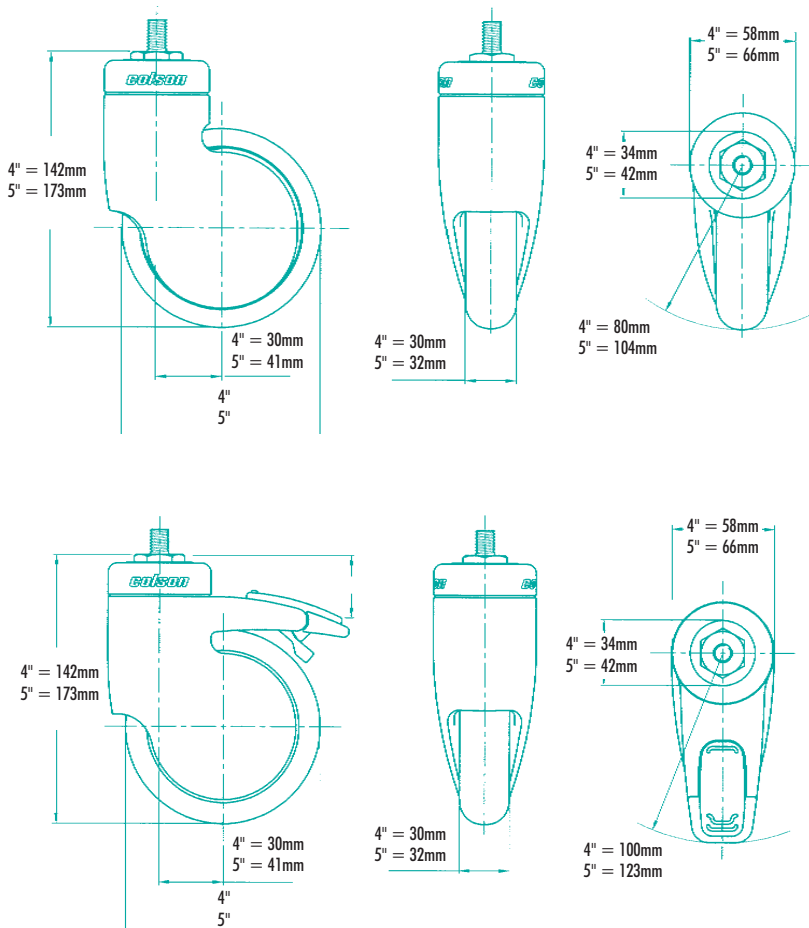
## SingleTech – Solus Swivel Casters

SingleTech Swivel Casters feature aesthetic clean lines and a choice of available colors. They are manufactured from two pressure-diecast aluminum shells and combine light weight with high load capacities. Combined with the ability to swivel freely in all directions, these casters are ideal for modern technical equipment.

The Total Lock models offer both the high overall height and a highly effective brake mechanism enclosed between two shells. The brake is activated by light pressure on a smooth-contoured pedal. Both the wheel and swivel are locked simultaneously.

Type	Wheel Dia.	Load Capacity	Bearing	Wheel Type	Stem Size	Weight	Part Number
Swivel	4"	275 lbs.	Ball	Gray Polyurethane	M10 x 15	1.5 lbs.	2-4404-404-064-0001-0805
Swivel	5"	297 lbs.	Ball	Gray Polyurethane	M12 x 20	2.5 lbs.	2-5404-404-007-0001-0805
Swivel	4"	198 lbs.	Ball	Gray Rubber	M10 x 15	1.5 lbs.	2-4404-404-064-0001-0105
Swivel	5"	220 lbs.	Ball	Gray Rubber	M12 x 20	2.5 lbs.	2-5404-404-007-0001-0105
Total Lock	4"	275 lbs.	Ball	Gray Polyurethane	M10 x 15	1.7 lbs.	2-4402-404-064-2001-0805
Total Lock	5"	297 lbs.	Ball	Gray Polyurethane	M12 x 20	2.9 lbs.	2-5402-404-007-2001-0805
Total Lock	4"	198 lbs.	Ball	Gray Rubber	M10 x 15	1.7 lbs.	2-4402-404-064-2001-0105
Total Lock	5"	220 lbs.	Ball	Gray Rubber	M12 x 20	2.9 lbs.	2-5402-404-007-2001-0105

Standard Finish: Body - White RAL 9003.



### Options

(Consult Factory)

- "Gold Seal" washable casters
- Alternative mounting stem and thread sizes
- Colored finishes
- Electrically conductive tires

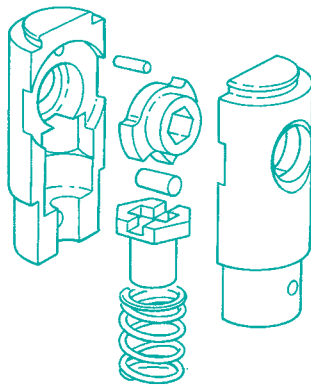
Consult factory for English/Imperial ordering dimensions and quantities.

# SingleTech Combi Specifications

## Cam Capsule

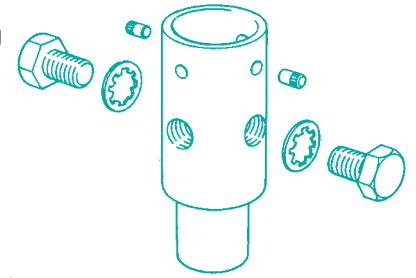
The directional and locking mechanism is totally enclosed with the capsule. To distinguish the Total Lock Caster from the Directional Lock Caster, the capsule is colored black/blue respectively. The mechanism is activated by an 11mm hexagonal drive bar, which can be set for three modes of operation:

1. Wheel and caster swivel;
2. Wheel swivel, but caster positioned in directional lock;
3. Wheel and caster total locked.



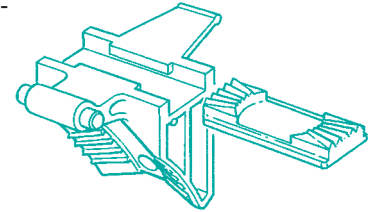
## Mounting Holes

- Four threaded mounting holes are provided for maximum versatility in positioning the casters, and to minimize stocking requirements.

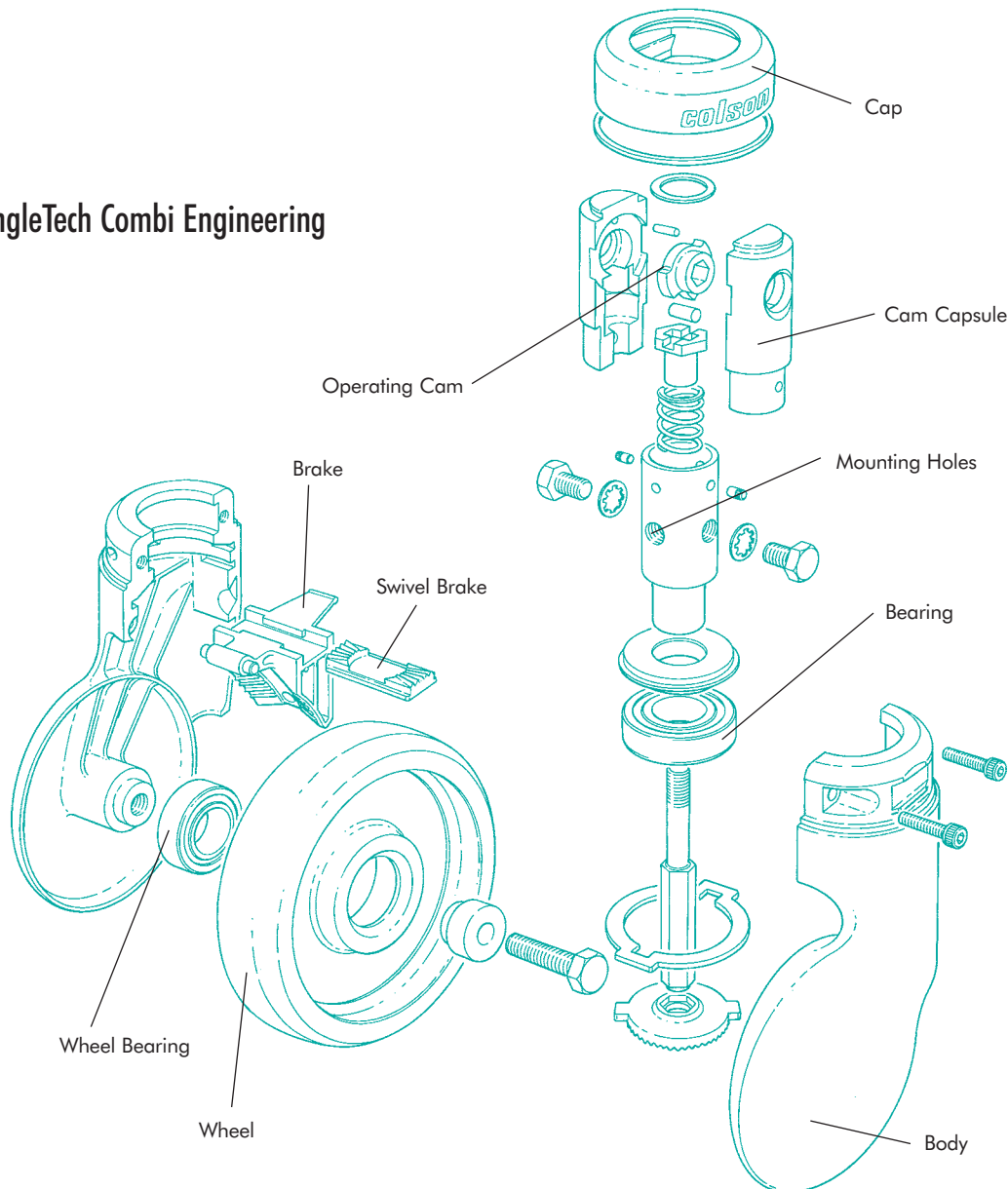


## Brake

- A progressive brake mechanism grips the flanks of the tires without affecting the tread of the wheel.



## SingleTech Combi Engineering



## SingleTech – Combi Total Lock Swivel Casters

SingleTech Combi Casters offer all of the design features and benefits of the SingleTech Solus models plus sophisticated braking options.

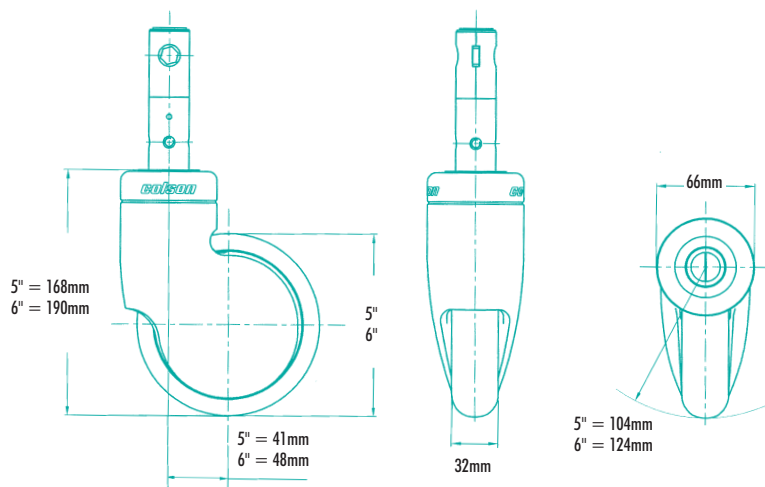
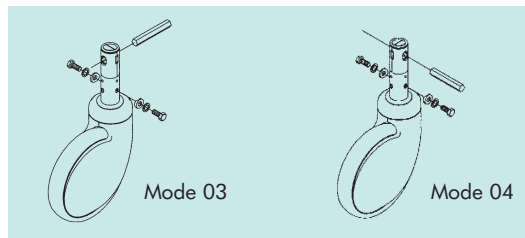
The Total Lock models feature a progressive brake mechanism that allows the wheels to swivel and rotate freely when in the “off” position, and will prevent both swiveling and rotation when in the “on” position. The brake system uses metal teeth that engage simultaneously with complementary teeth on the wheel hub and swivel pin to immobilize the caster. This central locking system does not cause the wear on brake pads and tire surfaces common to conventional friction brakes.

The Total & Directional Lock models are ideal for the most complex applications, including hospital beds and stretchers where its special design ensures perfect tracking down long corridors. The central locking mechanism can be locked in three distinct positions, providing free swiveling, swivel locked with wheel free, and total locking of both wheels and swivel.

Type	Wheel Dia.	Load Capacity	Bearing	Wheel Type	Weight	Part Number	Locking Position
Total Lock	5"	297 lbs.	Ball	Gray Polyurethane	3.3 lbs.	2-5412-404-002-0001-0805	
Total Lock	6"	330 lbs.	Ball	Gray Polyurethane	3.3 lbs.	2-6412-404-002-0001-0805	
Total Lock	5"	198 lbs.	Ball	Gray Rubber	3.9 lbs.	2-5412-404-002-0001-0105	
Total Lock	6"	220 lbs.	Ball	Gray Rubber	3.9 lbs.	2-6412-404-002-0001-0105	
Total & Directional Lock	5"	297 lbs.	Ball	Gray Polyurethane	3.3 lbs.	2-5413-404-003-0001-0805	Mode 03
Total & Directional Lock	6"	330 lbs.	Ball	Gray Polyurethane	3.9 lbs.	2-6413-404-003-0001-0805	Mode 03
Total & Directional Lock	5"	198 lbs.	Ball	Gray Rubber	3.3 lbs.	2-5413-404-003-0001-0105	Mode 03
Total & Directional Lock	6"	220 lbs.	Ball	Gray Rubber	3.9 lbs.	2-6413-404-003-0001-0105	Mode 03
Total & Directional Lock	5"	297 lbs.	Ball	Gray Polyurethane	3.3 lbs.	2-5413-404-004-0001-0805	Mode 04
Total & Directional Lock	6"	330 lbs.	Ball	Gray Polyurethane	3.9 lbs.	2-6413-404-004-0001-0805	Mode 04
Total & Directional Lock	5"	198 lbs.	Ball	Gray Rubber	3.3 lbs.	2-5413-404-004-0001-0105	Mode 04
Total & Directional Lock	6"	220 lbs.	Ball	Gray Rubber	3.9 lbs.	2-6413-404-004-0001-0105	Mode 04

Standard Finish: Body - White RAL 9003.

See page 3 for typical Combi configurations in Mode 03 and Mode 04



### Options

(Consult Factory)

- “Gold Seal” washable casters
- “D” cam mounting
- Colored finishes
- Electrically conductive tires

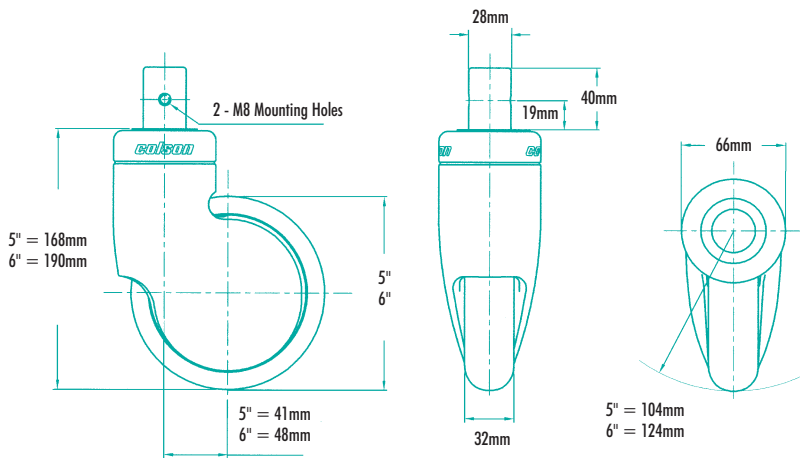
Consult factory for English/Imperial ordering dimensions and quantities.

## SingleTech – Combi Swivel Casters

SingleTech Combi Casters feature a head-bearing design that allows 360-degree swiveling with complete freedom. Since its overall dimensions are identical to others in the range, these Combi models can be used in combination with other types of Combi casters.

Type	Wheel Dia.	Load Capacity	Bearing	Wheel Type	Weight	Part Number
Swivel	5"	298 lbs.	Ball	Gray Polyurethane	3.3 lbs.	2-5414-404-001-0001-0805
Swivel	6"	330 lbs.	Ball	Gray Polyurethane	3.3 lbs.	2-6414-404-001-0001-0805
Swivel	5"	198 lbs.	Ball	Gray Rubber	3.9 lbs.	2-5414-404-001-0001-0105
Swivel	6"	220 lbs.	Ball	Gray Rubber	3.9 lbs.	2-6414-404-001-0001-0105

Standard Finish: Body - White RAL 9003.



### Options

(Consult Factory)

- "Gold Seal" washable casters
- Colored finishes
- Electrically conductive tires

Consult factory for English/Imperial ordering dimensions and quantities.