

TwinTech & SingleTech Combi Overview

Locking a Set of Casters Simultaneously

The Combi style of TwinTech and SingleTech casters is the preferred choice when all casters in a set need to be locked simultaneously. They offer a clean, streamlined appearance and exceptional mobility and tracking performance. Combi casters feature a fully-enclosed, positive mechanical brake and locking system.

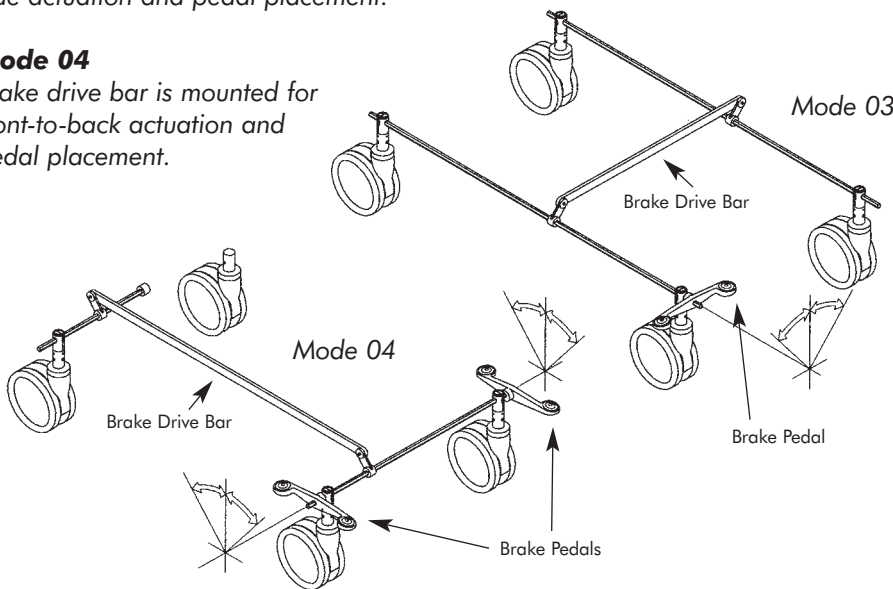
A variety of caster sizes, colors, and tires are available, and there are virtually unlimited configurations that can be accommodated. Typical Combi caster layouts are shown below; however, many other systems can be designed using this versatile system. Contact us for assistance.

Mode 03

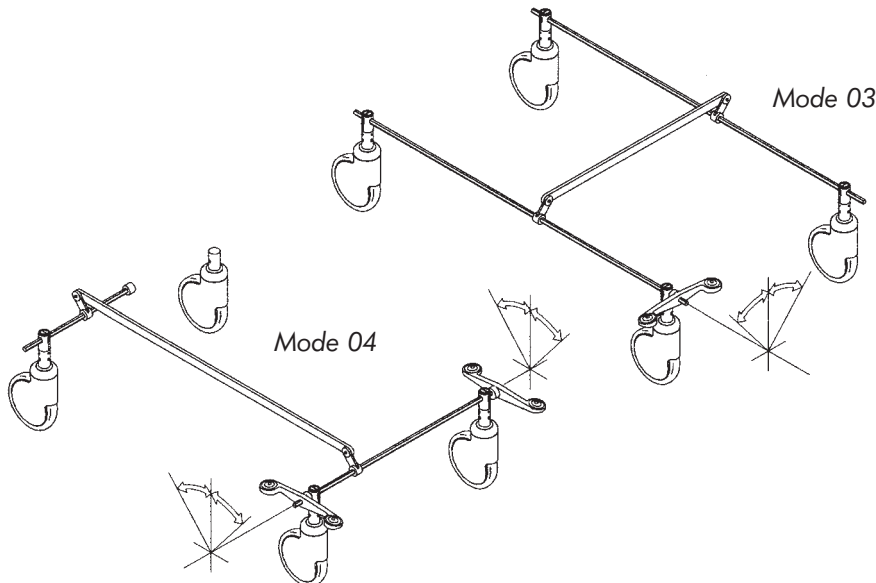
Brake drive bar is mounted for side-to-side actuation and pedal placement.

Mode 04

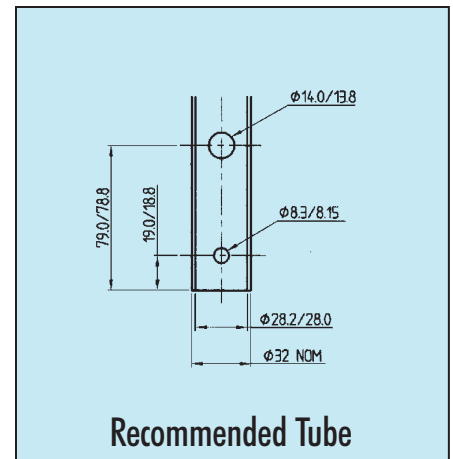
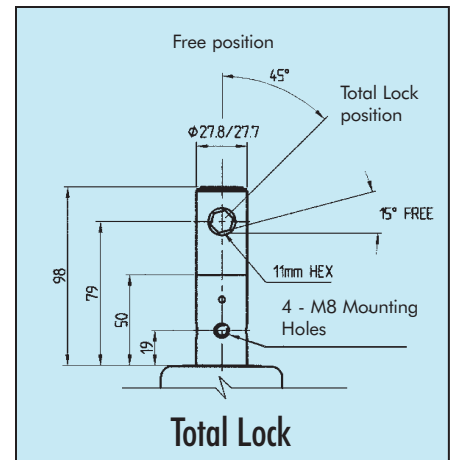
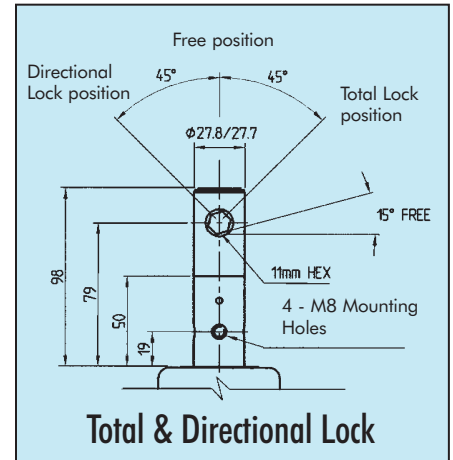
Brake drive bar is mounted for front-to-back actuation and pedal placement.



Typical configurations for TwinTech Combi casters



Typical configurations for SingleTech Combi casters



Note: Dimensions shown in mm. Consult factory for English/Imperial ordering dimensions and quantities.

See pages 9 - 12 for specifications on the TwinTech Combi.

See pages 15 - 17 for specifications on the SingleTech Combi.

Combi Accessories

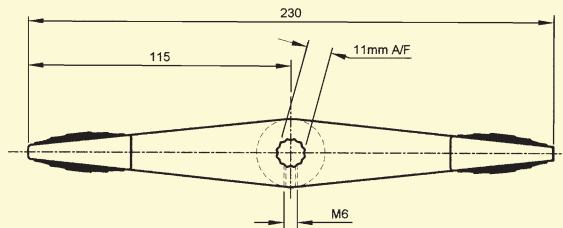
A variety of accessories are available to enable TwinTech and SingleTech Combi Casters to be integrated easily into the design of your equipment. Double or single-action universal pedals (no need for left or right-handed models), together

with linkages, can be supplied for actuation by an 11mm A/F drive bar activated from a central point. Material: zinc alloy. Finish: chrome-plated.

Note: dimensions below in mm.

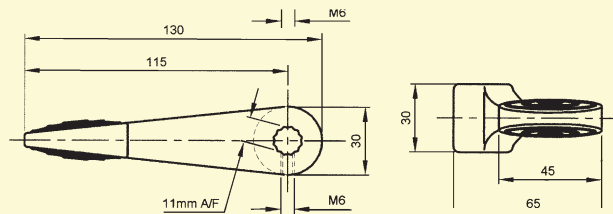
Double Pedal Model #CPD01-00

Complete with M6 x 10 grubscrew



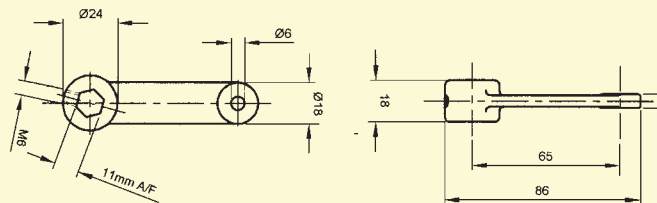
Single Pedal Model #CPS01-00

Complete with M6 x 10 grubscrew



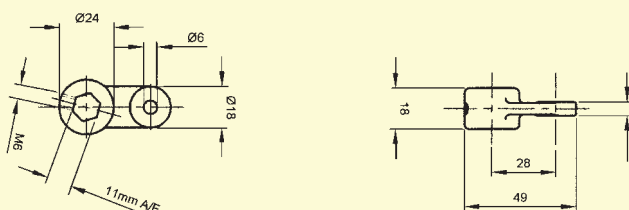
Linkage (long) Model #CLL01-00

Complete with M6 x 6 grubscrew



Linkage (short) Model #CLS01-00

Complete with M6 x 6 grubscrew

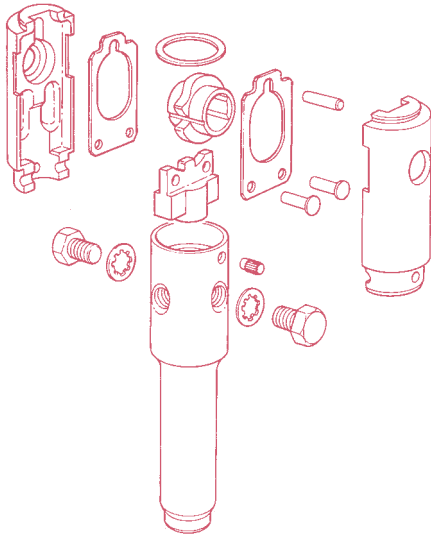


TwinTech Combi Specifications

Cam Capsule

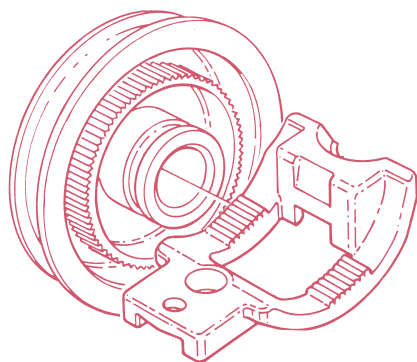
The locking mechanism is totally enclosed within the capsule. It is activated by an 11mm hexagonal drive bar, which can be set for three modes of operation:

1. Wheel and caster swivel;
2. Wheel swivel, but caster positioned in directional lock;
3. Wheel and caster total locked.



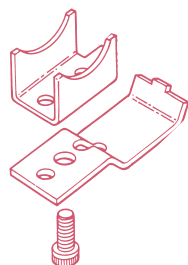
Brake

- Mechanical system with pressure-diecast teeth engaging with integral teeth cast into a wheel hub. This is a positive-locking parking brake which completely immobilizes the equipment.



Retaining Plate

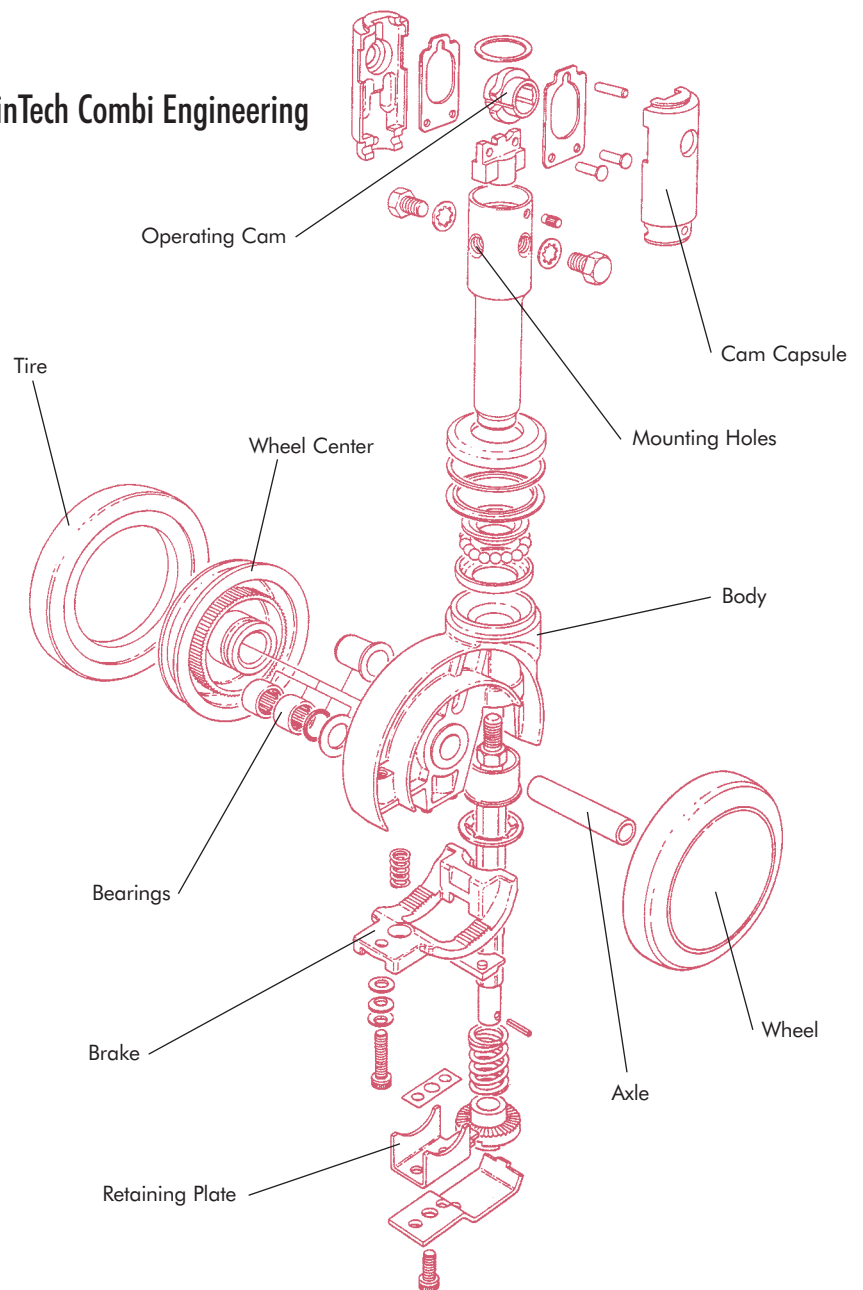
- Designed to allow quick removal and reassembly of the wheels for easy servicing.



Ordering Options

- Overall height of caster can be extended to match conventional single-wheel casters for greater ground clearance and under-trolley access.
- Alternative "D" section drive bar actuating mechanism can be specified.
- Body and wheel hubs can be powder coated in virtually any color to match existing equipment. (Consult factory for pricing and set-up charges.)
- Tires available in polyurethane, rubber, and nylon in a selection of color, shape, hardness, or electrical characteristics.
- Special "Gold Seal" version provides 72-hour salt spray protection through special plating quality, and additional seals for regular autoclaving or steam cleaning. (Consult factory for pricing and set-up charges.)

TwinTech Combi Engineering



TwinTech – Combi Total Lock Swivel Casters

TwinTech Combi Casters offer all of the design features and benefits of the TwinTech Solus models plus sophisticated braking options.

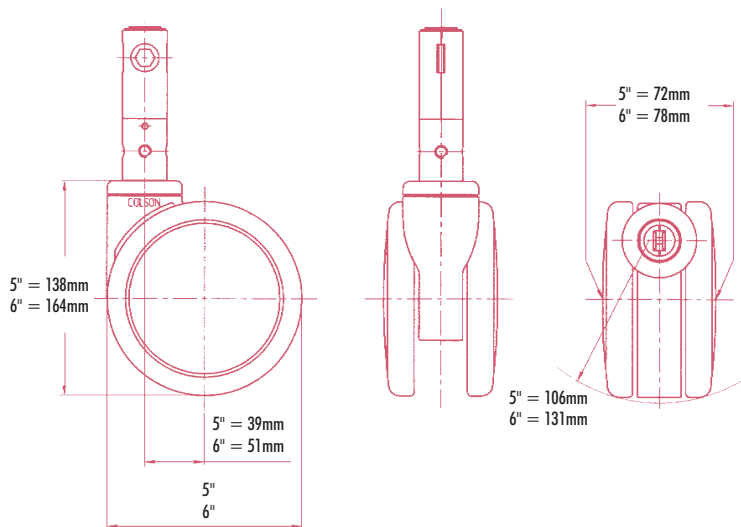
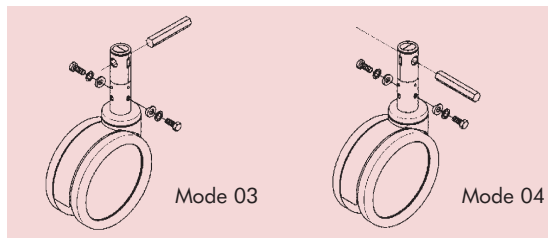
The Total Lock models feature a mechanical brake that allows the wheels to swivel and rotate freely when in the “off” position, and will prevent both swiveling and rotation when in the “on” position. The brake system uses metal teeth that engage simultaneously with complementary teeth on the wheel hub and swivel pin to immobilize the caster. This central locking system does not cause the wear on brake pads and tire surfaces common to conventional friction brakes.

The Total & Directional Lock models are ideal for the most complex applications, including hospital beds and stretchers where its twin-wheel design ensures perfect tracking down long corridors. The central locking mechanism can be locked in three distinct positions, providing free swiveling, swivel locked with wheel free, and total locking of both wheels and swivel.

Type	Wheel Dia.	Load Capacity	Bearing	Wheel Type	Weight	Part Number	Locking Position
Total Lock	5"	297 lbs.	Roller	Gray Polyurethane	3.7 lbs.	2-5512-409-002-0001-0805	
Total Lock	6"	330 lbs.	Roller	Gray Polyurethane	4.9 lbs.	2-6512-409-002-0001-0805	
Total Lock	5"	198 lbs.	Roller	Gray Rubber	3.7 lbs.	2-5512-409-002-0001-0105	
Total Lock	6"	220 lbs.	Roller	Gray Rubber	4.9 lbs.	2-6512-409-002-0001-0105	
Total & Directional Lock	5"	297 lbs.	Roller	Gray Polyurethane	3.7 lbs.	2-5513-409-003-0001-0805	Mode 03
Total & Directional Lock	6"	330 lbs.	Roller	Gray Polyurethane	4.9 lbs.	2-6513-409-003-0001-0805	Mode 03
Total & Directional Lock	5"	198 lbs.	Roller	Gray Rubber	3.7 lbs.	2-5513-409-003-0001-0105	Mode 03
Total & Directional Lock	6"	220 lbs.	Roller	Gray Rubber	4.9 lbs.	2-6513-409-003-0001-0105	Mode 03
Total & Directional Lock	5"	297 lbs.	Roller	Gray Polyurethane	3.7 lbs.	2-5513-409-004-0001-0805	Mode 04
Total & Directional Lock	6"	330 lbs.	Roller	Gray Polyurethane	4.9 lbs.	2-6513-409-004-0001-0805	Mode 04
Total & Directional Lock	5"	198 lbs.	Roller	Gray Rubber	3.7 lbs.	2-5513-409-004-0001-0105	Mode 04
Total & Directional Lock	6"	220 lbs.	Roller	Gray Rubber	4.9 lbs.	2-6513-409-004-0001-0105	Mode 04

Standard Finish: Body - White RAL 9003.

See page 3 for typical Combi configurations in Mode 03 and Mode 04



Options

(Consult Factory)

- “Gold Seal” washable casters
- “D” cam mounting
- Longer mounting stems available
- Colored finishes
- Electrically conductive tires
- Non-magnetic casters
- Black nylon tires

Consult factory for English/Imperial ordering dimensions and quantities.

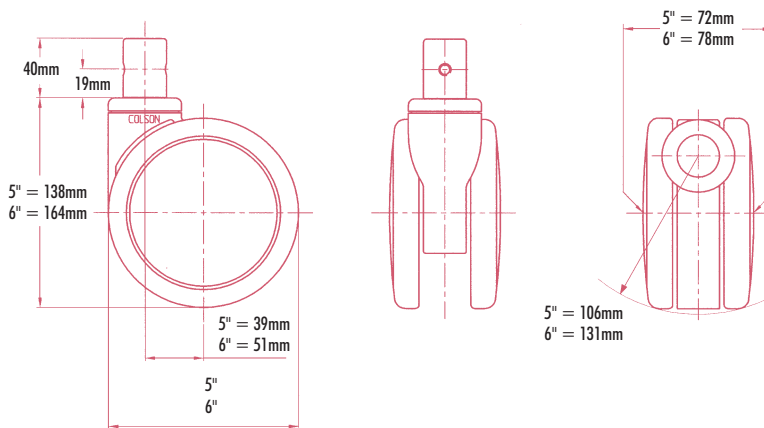


TwinTech – Combi Swivel Casters

TwinTech Combi Casters feature a head-bearing design that allows 360-degree swiveling with complete freedom. Since its overall dimensions are identical to others in the range, these Combi models can be used in combination with other types of Combi casters. This model also can be supplied in a non-swiveling, guiding caster version.

Type	Wheel Dia.	Load Capacity	Bearing	Wheel Type	Weight	Part Number
Swivel	5"	298 lbs.	Roller	Gray Polyurethane	2.9 lbs.	2-5514-409-001-0001-0805
Swivel	6"	330 lbs.	Roller	Gray Polyurethane	4.9 lbs.	2-6514-409-001-0001-0805
Swivel	5"	198 lbs.	Roller	Gray Rubber	2.9 lbs.	2-5514-409-001-0001-0105
Swivel	6"	220 lbs.	Roller	Gray Rubber	4.9 lbs.	2-6514-409-001-0001-0105

Standard Finish: Body - White RAL 9003.



Options

(Consult Factory)

- "Gold Seal" washable casters
- Longer mounting stems available
- Colored finishes
- Electrically conductive tires
- Non-magnetic casters
- Black nylon tires

Consult factory for English/Imperial ordering dimensions and quantities.

TwinTech – Combi Plunger Lock Casters

TwinTech Combi Plunger Lock Casters are designed to immobilize equipment quickly and easily. They offer the streamlined contours, exceptional maneuverability, and wide range of available materials and finishes standard with the TwinTech range. No adjustments or maintenance are required as the casters will provide a long life of positive operation and reliability. The plunger pad is made of soft, non-marking rubber for maximum friction resistance.

Type	Wheel Dia.	Load Capacity	Bearing	Wheel Type	Weight	Part Number
Plunger Lock	5"	298 lbs.	Roller	Gray Polyurethane	3.2 lbs.	2-5545-409-001-0001-0805
Plunger Lock	6"	330 lbs.	Roller	Gray Polyurethane	4.0 lbs.	2-6545-409-001-0001-0805
Plunger Lock	5"	198 lbs.	Roller	Gray Rubber	3.2 lbs.	2-5545-409-001-0001-0105
Plunger Lock	6"	220 lbs.	Roller	Gray Rubber	4.0 lbs.	2-6545-409-001-0001-0105

Standard Finish: Body - White RAL 9003.

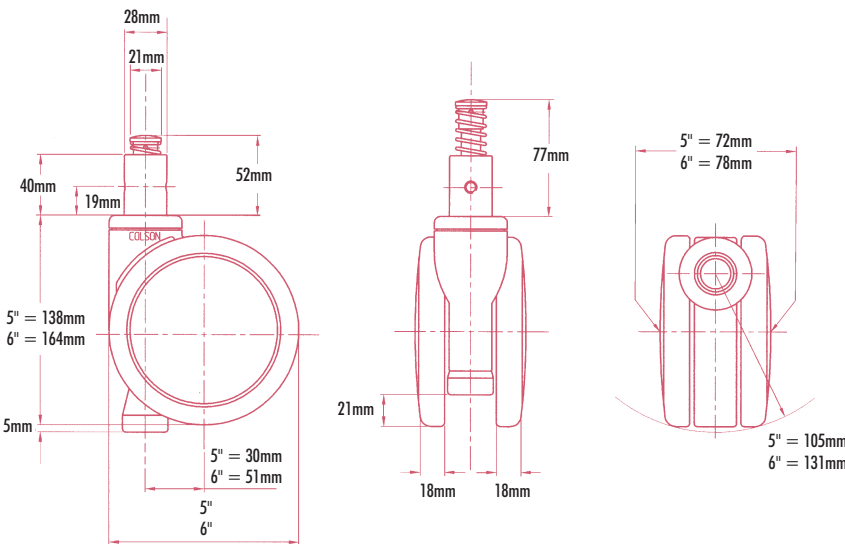
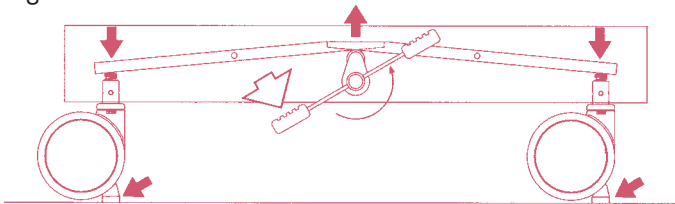


Figure 1

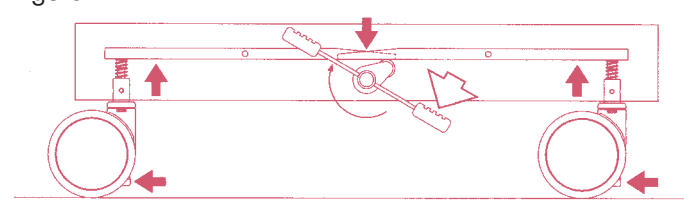


A single mechanism, housed within the equipment, drives the caster's integral plunger - lock down through the caster body, lifting the wheels clear of the floor. (Figure 1 above)



The mechanism also can be designed to immobilize the equipment while keeping the wheels in contact with the floor.

Figure 2



When the plunger lock is released, the equipment moves freely. (Figure 2 above)



Options

(Consult Factory)

- "Gold Seal" washable casters
- Colored finishes
- Electrically conductive tires
- Black nylon tires

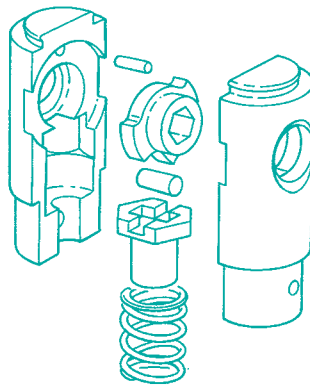
Consult factory for English/Imperial ordering dimensions and quantities.

SingleTech Combi Specifications

Cam Capsule

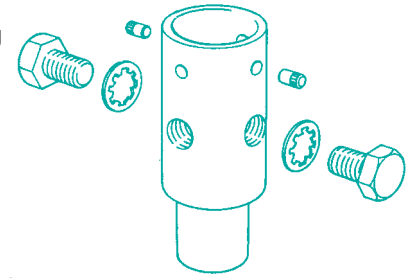
The directional and locking mechanism is totally enclosed with the capsule. To distinguish the Total Lock Caster from the Directional Lock Caster, the capsule is colored black/blue respectively. The mechanism is activated by an 11mm hexagonal drive bar, which can be set for three modes of operation:

1. Wheel and caster swivel;
2. Wheel swivel, but caster positioned in directional lock;
3. Wheel and caster total locked.



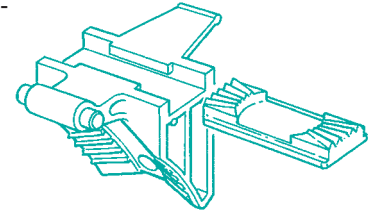
Mounting Holes

- Four threaded mounting holes are provided for maximum versatility in positioning the casters, and to minimize stocking requirements.

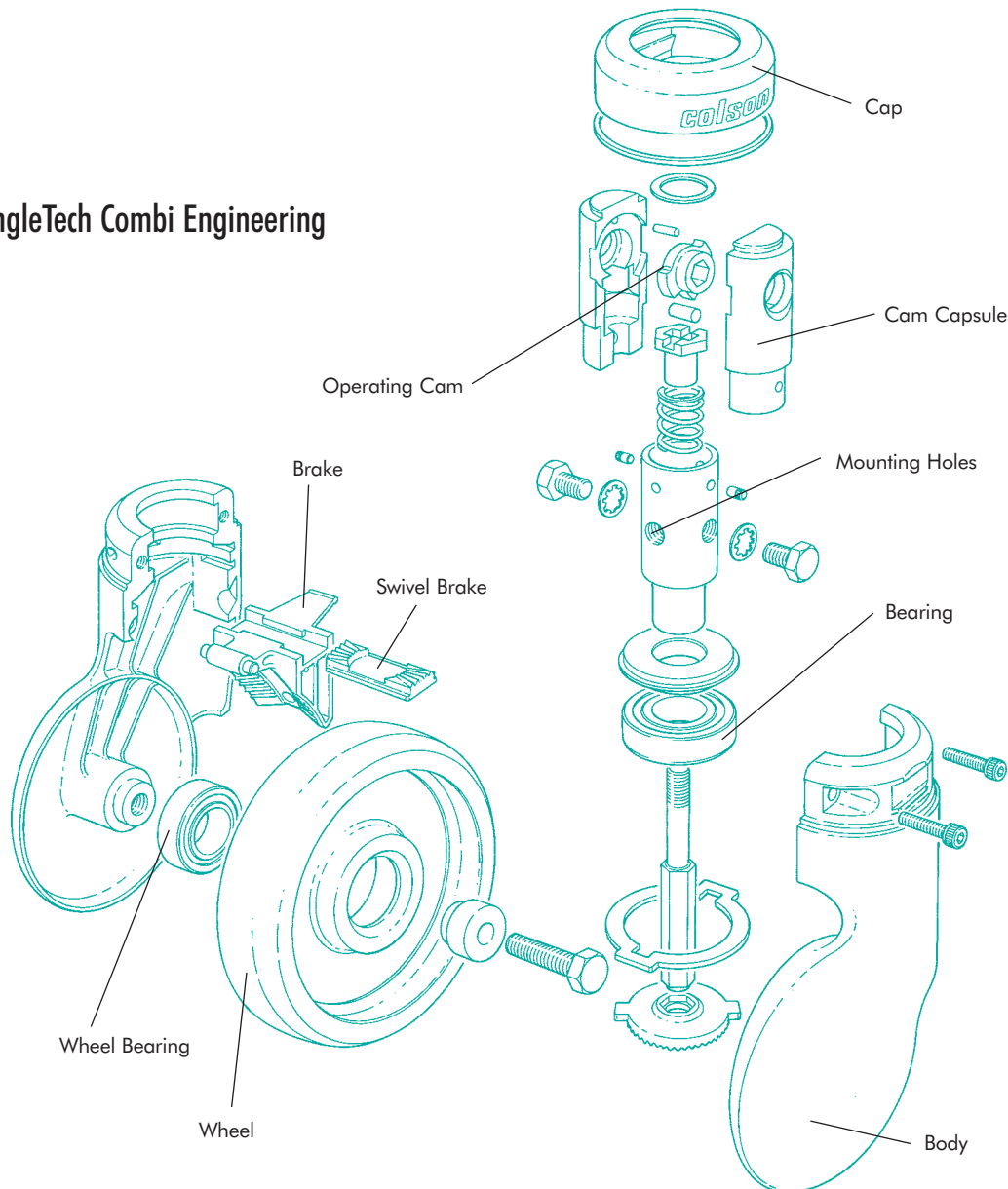


Brake

- A progressive brake mechanism grips the flanks of the tires without affecting the tread of the wheel.



SingleTech Combi Engineering



SingleTech – Combi Total Lock Swivel Casters

SingleTech Combi Casters offer all of the design features and benefits of the SingleTech Solus models plus sophisticated braking options.

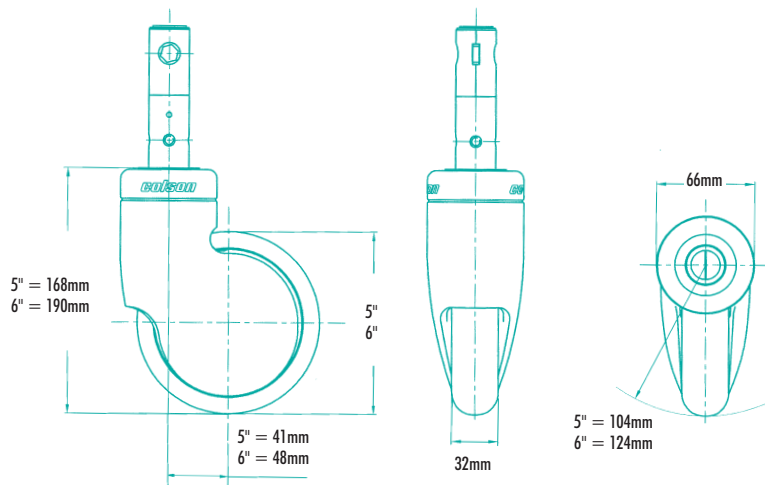
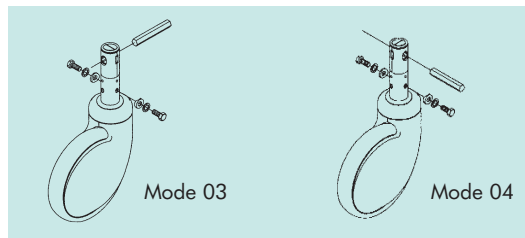
The Total Lock models feature a progressive brake mechanism that allows the wheels to swivel and rotate freely when in the “off” position, and will prevent both swiveling and rotation when in the “on” position. The brake system uses metal teeth that engage simultaneously with complementary teeth on the wheel hub and swivel pin to immobilize the caster. This central locking system does not cause the wear on brake pads and tire surfaces common to conventional friction brakes.

The Total & Directional Lock models are ideal for the most complex applications, including hospital beds and stretchers where its special design ensures perfect tracking down long corridors. The central locking mechanism can be locked in three distinct positions, providing free swiveling, swivel locked with wheel free, and total locking of both wheels and swivel.

Type	Wheel Dia.	Load Capacity	Bearing	Wheel Type	Weight	Part Number	Locking Position
Total Lock	5"	297 lbs.	Ball	Gray Polyurethane	3.3 lbs.	2-5412-404-002-0001-0805	
Total Lock	6"	330 lbs.	Ball	Gray Polyurethane	3.3 lbs.	2-6412-404-002-0001-0805	
Total Lock	5"	198 lbs.	Ball	Gray Rubber	3.9 lbs.	2-5412-404-002-0001-0105	
Total Lock	6"	220 lbs.	Ball	Gray Rubber	3.9 lbs.	2-6412-404-002-0001-0105	
Total & Directional Lock	5"	297 lbs.	Ball	Gray Polyurethane	3.3 lbs.	2-5413-404-003-0001-0805	Mode 03
Total & Directional Lock	6"	330 lbs.	Ball	Gray Polyurethane	3.9 lbs.	2-6413-404-003-0001-0805	Mode 03
Total & Directional Lock	5"	198 lbs.	Ball	Gray Rubber	3.3 lbs.	2-5413-404-003-0001-0105	Mode 03
Total & Directional Lock	6"	220 lbs.	Ball	Gray Rubber	3.9 lbs.	2-6413-404-003-0001-0105	Mode 03
Total & Directional Lock	5"	297 lbs.	Ball	Gray Polyurethane	3.3 lbs.	2-5413-404-004-0001-0805	Mode 04
Total & Directional Lock	6"	330 lbs.	Ball	Gray Polyurethane	3.9 lbs.	2-6413-404-004-0001-0805	Mode 04
Total & Directional Lock	5"	198 lbs.	Ball	Gray Rubber	3.3 lbs.	2-5413-404-004-0001-0105	Mode 04
Total & Directional Lock	6"	220 lbs.	Ball	Gray Rubber	3.9 lbs.	2-6413-404-004-0001-0105	Mode 04

Standard Finish: Body - White RAL 9003.

See page 3 for typical Combi configurations in Mode 03 and Mode 04



Options

(Consult Factory)

- “Gold Seal” washable casters
- “D” cam mounting
- Colored finishes
- Electrically conductive tires

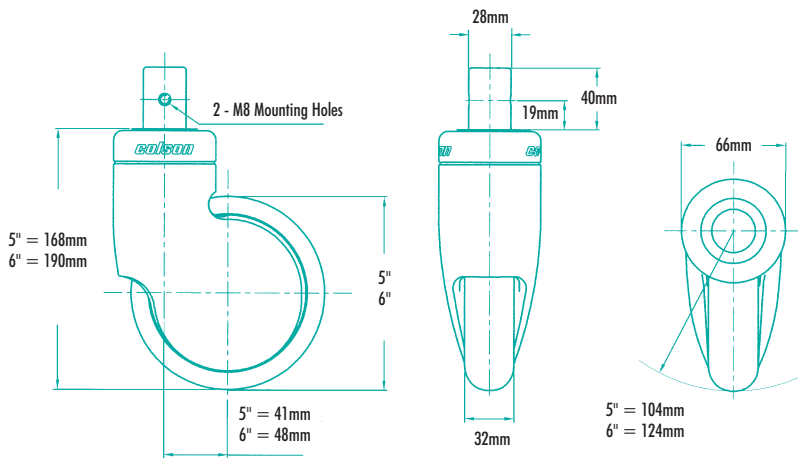
Consult factory for English/Imperial ordering dimensions and quantities.

SingleTech – Combi Swivel Casters

SingleTech Combi Casters feature a head-bearing design that allows 360-degree swiveling with complete freedom. Since its overall dimensions are identical to others in the range, these Combi models can be used in combination with other types of Combi casters.

Type	Wheel Dia.	Load Capacity	Bearing	Wheel Type	Weight	Part Number
Swivel	5"	298 lbs.	Ball	Gray Polyurethane	3.3 lbs.	2-5414-404-001-0001-0805
Swivel	6"	330 lbs.	Ball	Gray Polyurethane	3.3 lbs.	2-6414-404-001-0001-0805
Swivel	5"	198 lbs.	Ball	Gray Rubber	3.9 lbs.	2-5414-404-001-0001-0105
Swivel	6"	220 lbs.	Ball	Gray Rubber	3.9 lbs.	2-6414-404-001-0001-0105

Standard Finish: Body - White RAL 9003.



Options

(Consult Factory)

- "Gold Seal" washable casters
- Colored finishes
- Electrically conductive tires

Consult factory for English/Imperial ordering dimensions and quantities.