

# PlasTech – Solus Swivel Casters

## PlasTech Solus Low Height

Type	Wheel Dia.	Load Capacity	Bearing	Wheel Type	Stem Size	Weight	Part Number
Swivel	4"	176 lbs.	Ball	Gray Polyurethane	M10 x 8	1.0 lbs.	42-4534-404-130-0001-0800
Swivel	4"	176 lbs.	Roller	Gray Polyurethane	M10 x 8	0.8 lbs.	42-4534-401-130-0001-0800
Swivel	5"	220 lbs.	Ball	Gray Polyurethane	M12 x 15	1.7 lbs.	42-5534-404-032-0001-0805
Swivel	5"	220 lbs.	Roller	Gray Polyurethane	M12 x 15	1.5 lbs.	42-5534-401-032-0001-0805
Total Lock	5"	220 lbs.	Ball	Gray Polyurethane	M12 x 15	1.0 lbs.	42-5532-404-032-2001-0805
Total Lock	5"	220 lbs.	Roller	Gray Polyurethane	M12 x 15	0.8 lbs.	42-5532-401-032-2001-0805
Directional Lock	5"	220 lbs.	Ball	Gray Polyurethane	M12 x 15	1.7 lbs.	42-5533-404-032-0001-0805
Directional Lock	5"	220 lbs.	Roller	Gray Polyurethane	M12 x 15	1.5 lbs.	42-5533-401-032-0001-0805



## PlasTech Solus Standard Height

Type	Wheel Dia.	Load Capacity	Bearing	Wheel Type	Stem Size	Weight	Part Number
Swivel	4"	176 lbs.	Ball	Gray Polyurethane	M10 x 15	1.0 lbs.	42-4504-404-064-0001-0805
Swivel	4"	176 lbs.	Roller	Gray Polyurethane	M10 x 15	0.8 lbs.	42-4504-401-064-0001-0805
Swivel	5"	220 lbs.	Ball	Gray Polyurethane	M12 x 20	1.7 lbs.	42-5504-404-007-0001-0805
Swivel	5"	220 lbs.	Roller	Gray Polyurethane	M12 x 20	1.5 lbs.	42-5504-401-007-0001-0805
Total Lock	4"	176 lbs.	Ball	Gray Polyurethane	M10 x 15	1.2 lbs.	42-4502-404-064-2001-0805
Total Lock	4"	176 lbs.	Roller	Gray Polyurethane	M10 x 15	1.0 lbs.	42-4502-401-064-2001-0805
Total Lock	5"	220 lbs.	Ball	Gray Polyurethane	M12 x 20	2.0 lbs.	42-5502-404-007-2001-0805
Total Lock	5"	220 lbs.	Roller	Gray Polyurethane	M12 x 20	1.8 lbs.	42-5502-401-007-2001-0805
Directional Lock	5"	220 lbs.	Ball	Gray Polyurethane	M12 x 20	2.0 lbs.	42-5503-404-007-5001-0805
Directional Lock	5"	220 lbs.	Roller	Gray Polyurethane	M12 x 20	1.8 lbs.	42-5503-401-007-5001-0805



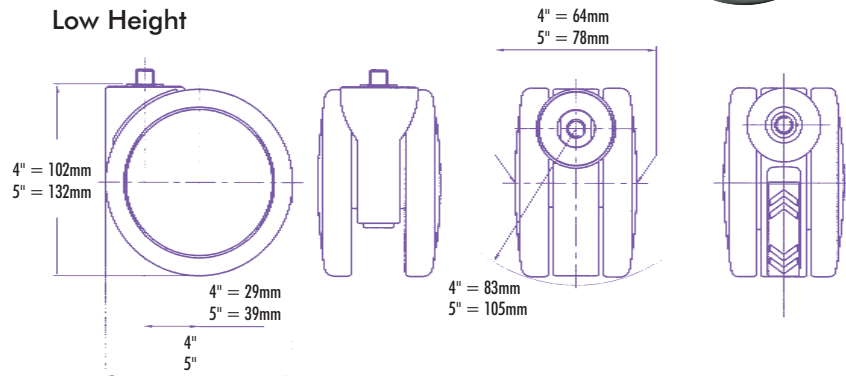
Standard Finish: Body - White RAL 9003; Polyurethane Tires - Gray RAL 7005

### Options

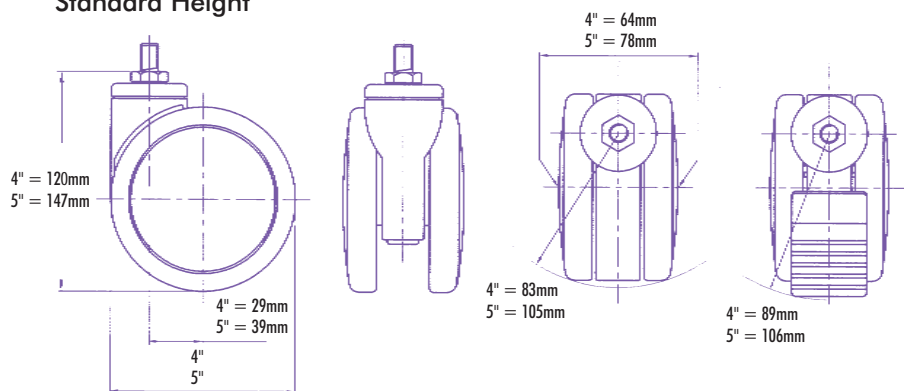
(Consult Factory)

- Alternative mounting stem and thread size
- Washable versions with durable plastic bearings and stainless steel ball bearing, pin and axle.
- Self-colored, scratch-resistant thermoplastic parts to complement equipment
- Alternative tire material and hardness
- Removable wheels

#### Low Height



#### Standard Height



Consult factory for English/Imperial ordering dimensions and quantities.

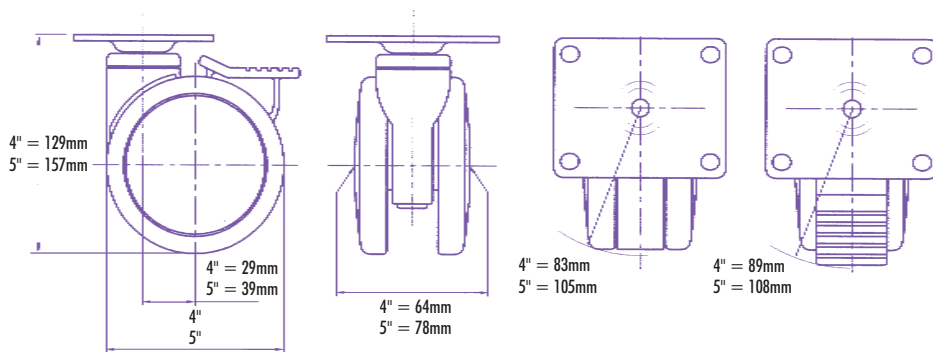
# PlasTech – Solus Top Plate Swivel Casters

## PlasTech Solus Top Plate

Type	Wheel Dia.	Load Capacity	Bearing	Wheel Type	Weight	Part Number
Swivel	4"	176 lbs.	Ball	Gray Polyurethane	1.5 lbs.	42-4504-404-158-0001-0805
Swivel	4"	176 lbs.	Roller	Gray Polyurethane	1.3 lbs.	42-4504-401-158-0001-0805
Swivel	5"	220 lbs.	Ball	Gray Polyurethane	2.3 lbs.	42-5504-404-158-0001-0805
Swivel	5"	220 lbs.	Roller	Gray Polyurethane	2.1 lbs.	42-5504-401-158-0001-0805
Total Lock	4"	176 lbs.	Ball	Gray Polyurethane	1.6 lbs.	42-4502-404-158-2001-0805
Total Lock	4"	176 lbs.	Roller	Gray Polyurethane	1.5 lbs.	42-4502-401-158-2001-0805
Total Lock	5"	220 lbs.	Ball	Gray Polyurethane	2.4 lbs.	42-5502-404-158-2001-0805
Total Lock	5"	220 lbs.	Roller	Gray Polyurethane	2.2 lbs.	42-5502-401-158-2001-0805
Directional Lock	5"	220 lbs.	Ball	Gray Polyurethane	1.5 lbs.	42-5503-404-158-5001-0805
Directional Lock	5"	220 lbs.	Roller	Gray Polyurethane	1.3 lbs.	42-5503-401-158-5001-0805



Standard Finish: Body - White RAL 9003; Polyurethane Tires - Gray RAL 7005

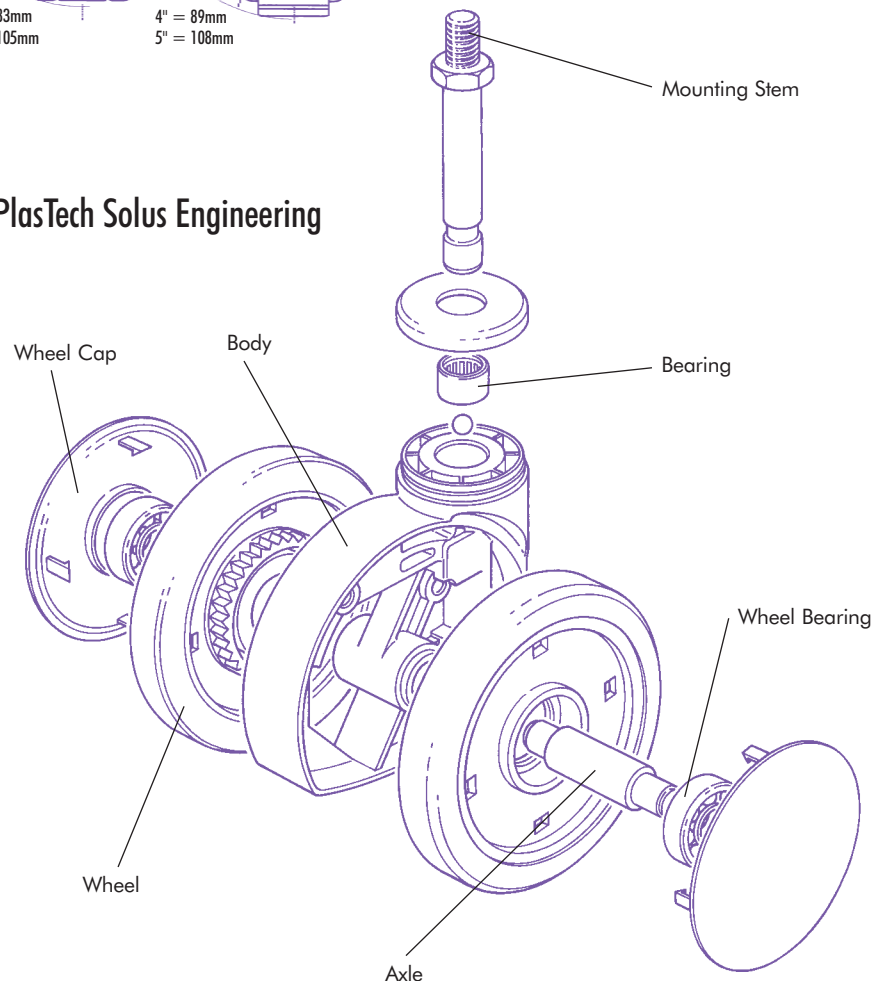


### Options

(Consult Factory)

- Available with the following brake options:
  1. Wheel lock
  2. Directional lock
  3. Total lock
- Washable versions with durable plastic bearings and stainless steel ball bearing, stem and axle.
- Self-colored, scratch-resistant thermo-plastic parts to complement equipment
- Alternative tire material and hardness
- Removable wheels
- Anti-static polyurethane wheels

### PlasTech Solus Engineering



Consult factory for English/Imperial ordering dimensions and quantities.





# PlasTech – Solus Swivel Casters

## PlasTech Solus Low Height

Type	Wheel Dia.	Load Capacity	Bearing	Wheel Type	Stem Size	Weight	Part Number
Swivel	4"	220 lbs.	Ball	Gray Polyurethane	M10 x 8	1.1 lbs.	43-4534-404-192-0112-0805

## PlasTech Solus Standard Height

Type	Wheel Dia.	Load Capacity	Bearing	Wheel Type	Stem Size	Weight	Part Number
Swivel	4"	220 lbs.	Ball	Gray Polyurethane	M12 x 20	1.1 lbs.	43-4504-404-193-0112-0805
Wheel Brake	4"	220 lbs.	Ball	Gray Polyurethane	M12 x 20	1.2 lbs.	43-4501-404-193-2112-0805

Standard Finish: Gray Body/Gray Tires - Contact factory for RAL/custom colors.

### Features

- Designed for medical and hospital equipment, promotional display units, catering appliances, home and office furniture, and distribution trolleys
- Constructed of high-performance thermoplastics
- 25% greater load capacity than standard PlasTech casters
- Labyrinth caster assembly protects the axis and bearing from ingress of moisture, dirt, grit, and other contaminants
- Removable wheels for cleaning
- Wheel brake model tested in accordance with BSEN12530 to a minimum of 390N

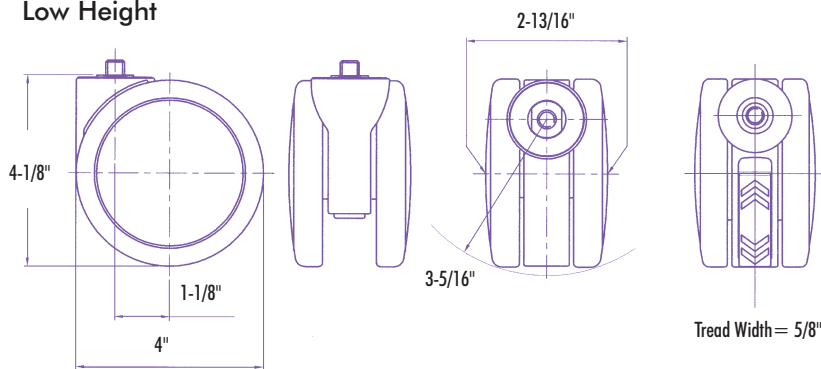
### Options

(Consult Factory)

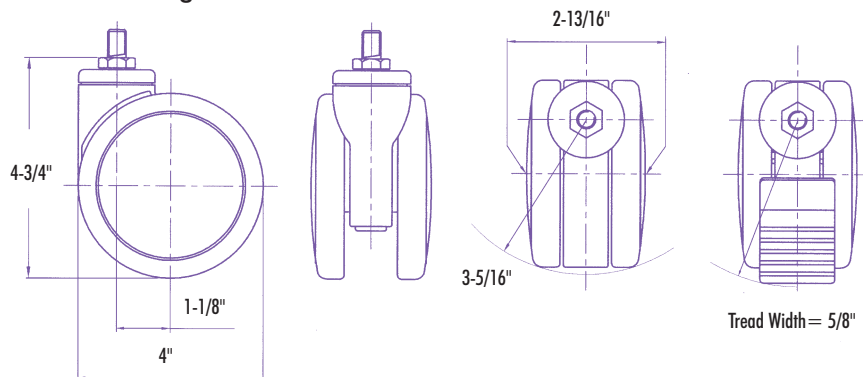
- Alternative mounting stem and thread size
- Self-colored, scratch-resistant thermoplastic parts to complement equipment
- Alternative tire material and hardness



### Low Height



### Standard Height



### The Revvo Caster Company, Inc.

2420 North America Drive  
West Seneca, NY 14224

In Canada:  
P.O. Box 236  
Fort Erie, ON L2A 5M9

Phone: 716-675-9609  
Fax: 716-677-2363  
TOLL-FREE: 1-888-883-3596  
E-Mail: [info@revvocaster.com](mailto:info@revvocaster.com)  
[www.RevvoCaster.com](http://www.RevvoCaster.com)

A COLSON ASSOCIATE