



PlasTech – Solus Swivel Casters

PlasTech Solus Low Height

Type	Wheel Dia.	Load Capacity	Bearing	Wheel Type	Stem Size	Weight	Part Number
Swivel	4"	220 lbs.	Ball	Gray Polyurethane	M10 x 8	1.1 lbs.	43-4534-404-192-0112-0805

PlasTech Solus Standard Height

Type	Wheel Dia.	Load Capacity	Bearing	Wheel Type	Stem Size	Weight	Part Number
Swivel	4"	220 lbs.	Ball	Gray Polyurethane	M12 x 20	1.1 lbs.	43-4504-404-193-0112-0805
Wheel Brake	4"	220 lbs.	Ball	Gray Polyurethane	M12 x 20	1.2 lbs.	43-4501-404-193-2112-0805

Standard Finish: Gray Body/Gray Tires - Contact factory for RAL/custom colors.

Features

- Designed for medical and hospital equipment, promotional display units, catering appliances, home and office furniture, and distribution trolleys
- Constructed of high-performance thermoplastics
- 25% greater load capacity than standard PlasTech casters
- Labyrinth caster assembly protects the axis and bearing from ingress of moisture, dirt, grit, and other contaminants
- Removable wheels for cleaning
- Wheel brake model tested in accordance with BSEN12530 to a minimum of 390N

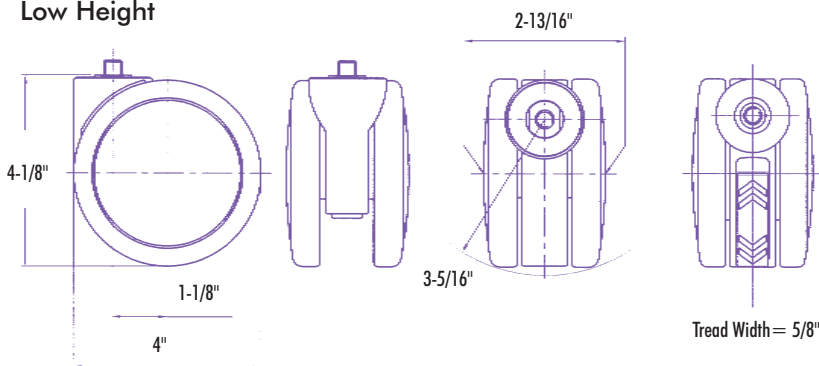
Options

(Consult Factory)

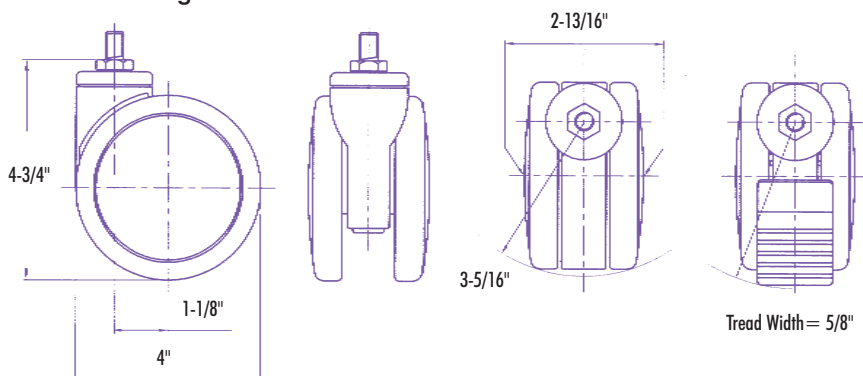
- Alternative mounting stem and thread size
- Self-colored, scratch-resistant thermoplastic parts to complement equipment
- Alternative tire material and hardness



Low Height



Standard Height



The Revvo Caster Company, Inc.

2420 North America Drive
West Seneca, NY 14224

In Canada:

P.O. Box 236
Fort Erie, ON L2A 5M9

Phone: 716-675-9609

Fax: 716-677-2363

E-Mail: info@revvocaster.com

A COLSON ASSOCIATE

Call Toll-Free 1-888-883-3596 or Visit www.RevvoCaster.com

