

11 SERIES & 19 SERIES

Swivel & Wheel Brakes

A combined swivel and wheel brake is available for the 11 Series caster in 4" and 5" diameters. The adjustable foot-operated brake simultaneously brakes both the wheel and the swivel head. A trip pedal releases the brake. The swivel radius is increased to 5". To order a swivel and wheel brake, add suffix **SWB** to the Swivel Part #.

Foot Brakes

A foot brake is also available for the 11 Series caster in 4" and 5" diameters. Add suffix **BR** to the Swivel Part #.

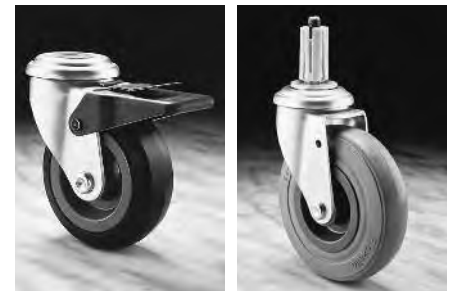
Expanding Plugs

Plastic expanding adapters are available for the bolt-hole version. To order, add Code Suffix (as shown in the table below) to the Swivel Part #.



11 Series Swivel & Wheel Brake

EXPANDING PLUGS				
Tube Type	Code Suffix	Color	Effective Range (mm)	To Suit Tubing
Round	EXP19	White	19.0 to 20.3	7/8" x 16G 7/8" x 18G
Round	EXP22	Gray	21.8 to 24.5	1" x 16G 1" x 18G 1" x 14G
Round	EXP25	Black	25.0 to 28.5	1-1/8" x 16G 1-1/4" x 16G 1-1/4" x 14G
Square	EXS19	White	19.0 to 20.3	7/8" x 16G
Square	EXS22	Gray	21.8 to 24.5	1" x 16G 1-1/8" x 14G
Square	EXS25	Black	25.0 to 28.5	1" x 16G 1-1/8" x 14G



11 Series Foot Brake

11 Series Bolt Hole with Expanding Plug

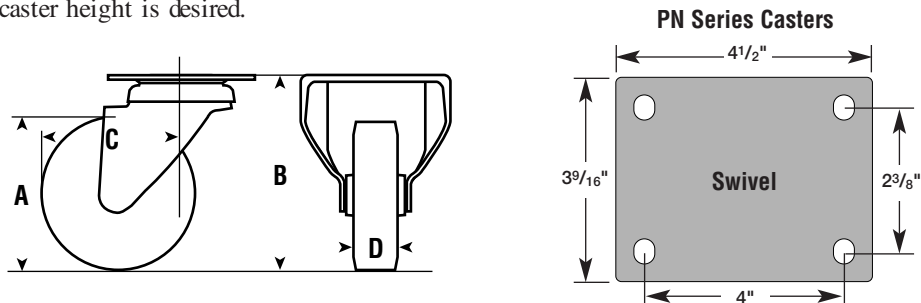
Low-Level Casters

PN SERIES

The Flexello PN Series is a low-level swivel caster with a load capacity of 330 lbs. The wheel is fitted with a roller bearing for ease of movement, and the swivel features a double bearing raceway to handle punishment under loads. This low-level caster is designed for use on business machines, store fixtures, and general industrial applications where low caster height is desired.



PN Series Low-Level Swivel



A = Wheel Diameter B = Overall Height C = Swivel Radius D = Tread Width

PN SERIES

A	B	C	D	Load Capacity	Bearing	Wheel	Swivel Part #
2-5/16"	3-3/8"	2-9/16"	1-9/16"	330	Roller	Polyurethane on Nylon	2511PNBK103

