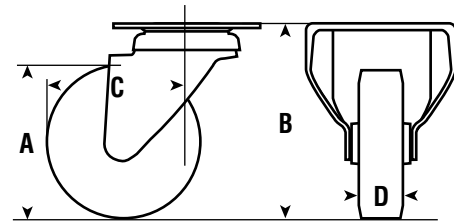
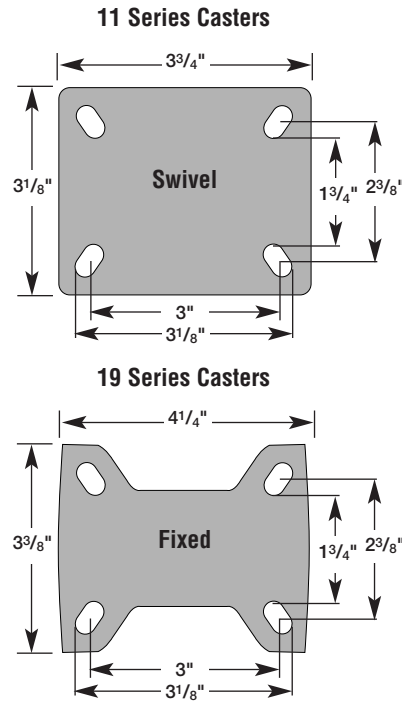


11 SERIES & 19 SERIES

The Flexello 11 Series and 19 Series casters are available in sizes ranging from 2-1/2" to 5" with load capacities from 125 to 264 lbs. The 11 Series is a double ball raceway swivel caster conforming to ISO standards. A bolt-hole version accommodating a 3/8" bolt is also available. The 19 Series is a fixed version of the 11 Series. These casters are designed for general work carts, bakery carts, store fixtures, and other light-duty applications.



A = Wheel Diameter B = Overall Height C = Swivel Radius D = Tread Width

11 & 19 SERIES

| A | B | C | D | Load Capacity | Bearing | Wheel | Swivel Part # | Fixed Part # |
|--------|--------|--------|--------|---------------|---------|-------------------------|---------------|--------------|
| 2-1/2" | 3-1/2" | 1-5/8" | 1-3/8" | 260 | Plain | Nylon | 25-11-NYB | N/A |
| 3" | 4-3/8" | 2-3/4" | 1-1/4" | 154 | Plain | Polypropylene | 3-11-PL | N/A |
| 3" | 4-3/8" | 2-3/4" | 1-1/4" | 154 | Roller | Polypropylene | 3-11-PLB | N/A |
| 3" | 4-3/8" | 2-3/4" | 1-1/4" | 125 | Plain | Rubber on Nylon | 3-11-RN | N/A |
| 4" | 5" | 3-3/8" | 1-3/8" | 198 | Plain | Polypropylene | 4-11-ED | 4-19-ED |
| 4" | 5" | 3-3/8" | 1-3/8" | 198 | Roller | Polypropylene | 4-11-EDB | 4-19-EDB |
| 4" | 5" | 3-3/8" | 1-3/8" | 132 | Plain | Gray Rubber | 4-11-PSW | 4-19-PSW |
| 4" | 5" | 3-3/8" | 1-3/8" | 132 | Roller | Gray Rubber | 4-11-PSWB | 4-19-PSWB |
| 4" | 5" | 3-3/8" | 1-3/8" | 132 | Plain | Black Rubber | 4-11-PS | 4-19-PS |
| 4" | 5" | 3-3/8" | 1-3/8" | 132 | Roller | Black Rubber | 4-11-PSB | 4-19-PSB |
| 4" | 5" | 3-3/8" | 1-3/8" | 264 | Roller | Polyurethane on Nylon | 4-11-PNB | 4-19-PNB |
| 5" | 6-1/4" | 3-7/8" | 1-3/8" | 198 | Plain | Polypropylene | 5-11-ED | 5-19-ED |
| 5" | 6-1/4" | 3-7/8" | 1-3/8" | 198 | Roller | Polypropylene | 5-11-EDB | 5-19-EDB |
| 5" | 6-1/4" | 3-7/8" | 1-3/8" | 176 | Plain | Gray Rubber on Plastic | 5-11-PSW | 5-19-PSW |
| 5" | 6-1/4" | 3-7/8" | 1-3/8" | 176 | Roller | Gray Rubber on Plastic | 5-11-PSWB | 5-19-PSWB |
| 5" | 6-1/4" | 3-7/8" | 1-3/8" | 176 | Plain | Black Rubber on Plastic | 5-11-PS | 5-19-PS |
| 5" | 6-1/4" | 3-7/8" | 1-3/8" | 176 | Roller | Black Rubber on Plastic | 5-11-PSB | 5-19-PSB |
| 5" | 6-1/4" | 3-7/8" | 1-3/8" | 198 | Roller | Rubber-Steel Center | 5-11-BSB | 5-19-BSB |
| 5" | 6-1/4" | 3-7/8" | 1-3/8" | 264 | Roller | Polyurethane on Nylon | 5-11-PNB | 5-19-PNB |

Bolt Hole Fitting

Available with hole to suit 10mm (0.4") diameter bolt for all swivel sizes. To order, add suffix **BH10** to the Swivel Part #.

Also available with hole to suit 12mm (0.5") bolt for 4" and 5" swivel sizes. To order, add suffix **BH12** to the Swivel Part #. The bolt can be fitted down through the bolt hole, or alternatively from the underside with the wheel removed. The mounting height is 3mm (0.1") less than the top plate fitting casters.



11 Series Swivel



19 Series Fixed



11 Series Bolt Hole

11 SERIES & 19 SERIES

Swivel & Wheel Brakes

A combined swivel and wheel brake is available for the 11 Series caster in 4" and 5" diameters. The adjustable foot-operated brake simultaneously brakes both the wheel and the swivel head. A trip pedal releases the brake. The swivel radius is increased to 5". To order a swivel and wheel brake, add suffix **SWB** to the Swivel Part #.

Foot Brakes

A foot brake is also available for the 11 Series caster in 4" and 5" diameters. Add suffix **BR** to the Swivel Part #.

Expanding Plugs

Plastic expanding adapters are available for the bolt-hole version. To order, add Code Suffix (as shown in the table below) to the Swivel Part #.

EXPANDING PLUGS

| Tube Type | Code Suffix | Color | Effective Range (mm) | To Suit Tubing |
|-----------|-------------|-------|----------------------|--|
| Round | EXP19 | White | 19.0 to 20.3 | 7/8" x 16G 7/8" x 18G |
| Round | EXP22 | Gray | 21.8 to 24.5 | 1" x 16G 1" x 18G 1" x 14G |
| Round | EXP25 | Black | 25.0 to 28.5 | 1-1/8" x 16G 1-1/4" x 16G 1-1/4" x 14G |
| Square | EXS19 | White | 19.0 to 20.3 | 7/8" x 16G |
| Square | EXS22 | Gray | 21.8 to 24.5 | 1" x 16G 1-1/8" x 14G |
| Square | EXS25 | Black | 25.0 to 28.5 | 1" x 16G 1-1/8" x 14G |



11 Series Swivel & Wheel Brake



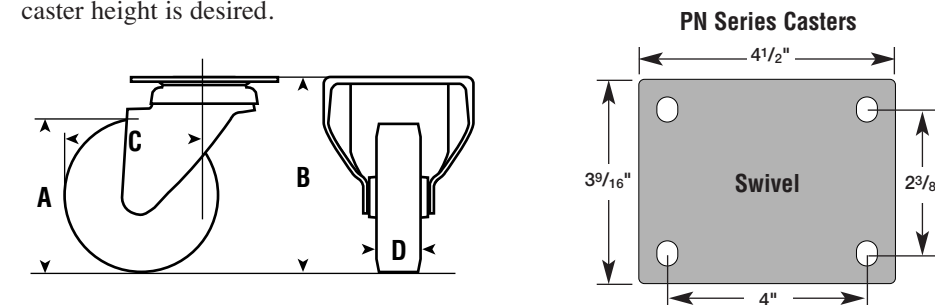
11 Series Foot Brake

11 Series Bolt Hole with Expanding Plug

Low-Level Casters

PN SERIES

The Flexello PN Series is a low-level swivel caster with a load capacity of 330 lbs. The wheel is fitted with a roller bearing for ease of movement, and the swivel features a double bearing raceway to handle punishment under loads. This low-level caster is designed for use on business machines, store fixtures, and general industrial applications where low caster height is desired.



A = Wheel Diameter B = Overall Height C = Swivel Radius D = Tread Width

PN SERIES

| A | B | C | D | Load Capacity | Bearing | Wheel | Swivel Part # |
|---------|--------|---------|---------|---------------|---------|-----------------------|---------------|
| 2-5/16" | 3-3/8" | 2-9/16" | 1-9/16" | 330 | Roller | Polyurethane on Nylon | 2511PNBK103 |



PN Series Low-Level Swivel