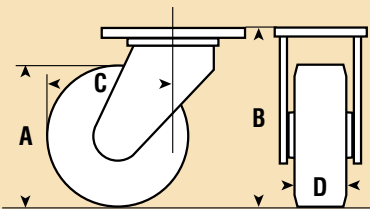


# T SERIES

## Kingpinless Fabricated Steel

Kingpinless T Series casters are designed for heavy-duty towing (to 4 mph) and use in adverse working conditions such as heavy loading, shock loading, and traversing poor floor surfaces. Single-wheel models are available in five wheel sizes (6" to 16") with load capacities ranging from 3,740 to 11,175 lbs. Swivel models (TST/XST) are fitted with oblong top plates. Fixed models (TFT/XFT) are fitted with rectangular top plates.

Twin-wheel models are available in three sizes (8", 10" & 12") with load capacities ranging from 6,725 to 10,285 lbs. Swivel models (2ST) are fitted with oblong top plates, and fixed models (2FT) are fitted with octagonal top plates. The twin-wheel design accommodates heavier loads without increasing the wheel diameter, and retaining a compact overall height.



T Series casters are among the most robust casters Revvo manufactures.

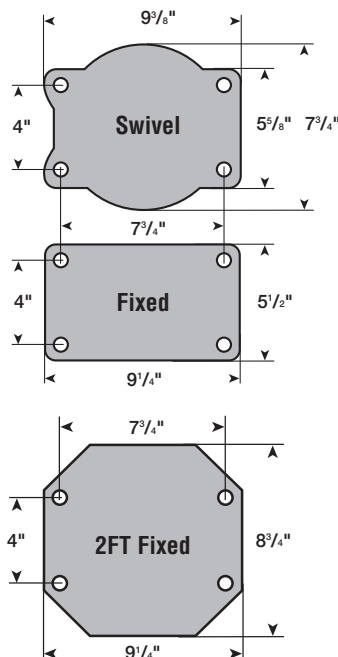


A = Wheel Diameter B = Overall Height C = Swivel Radius D = Tread Width

T SERIES								
A	B	C	D	Load Capacity	Bearing	Wheel	Swivel Part #	Fixed Part #
6"	8"	7-3/8"	2-1/2"	5000	Taper Roller	Steel	TST 150 STTT	TFT 150 STTT
8"	10"	8-3/8"	3"	3960	Taper Roller	Revvothane	TST 200 PTTC	TFT 200 PTTC
8"	11"	7-3/8"	3-3/8"	11175	Taper Roller	Steel	XST 200 ST3T	XFT 200 ST3T
10"	12"	9-3/8"	3"	5500	Taper Roller	Revvothane	TST 250 PTTC	TFT 250 PTTC
12"	14"	10-3/8"	3"	6050	Taper Roller	Revvothane	TST 300 PTTC	TFT 300 PTTC
16"	18-5/8"	12-1/2"	4"	9900	Taper Roller	Revvothane	XST 400 PTTC	XFT 400 PTTC
16"	18-5/8"	12-1/2"	4"	3740	Taper Roller	Rubber Tire	XST 400 RUTT	XFT 400 RUTT

T SERIES - Twin Wheel								
A	B	C	D	Load Capacity	Bearing	Wheel	Swivel Part #	Fixed Part #
8"	10-1/2"	9-1/8"	3"	6725	Taper Roller	Revvothane	2ST 200 PTTC	2FT 200 PTTC
10"	12-1/2"	10"	3"	9350	Taper Roller	Revvothane	2ST 250 PTTC	2FT 250 PTTC
12"	14-1/2"	11"	3"	10285	Taper Roller	Revvothane	2ST 300 PTTC	2FT 300 PTTC

### Standard Top Plates

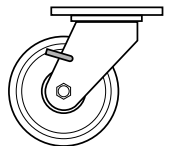


T Series swivel top plates are 1-3/16" thick; fixed are 10mm thick. All have fixing holes to suit 5/8" diameter bolts.

### Options & Accessories

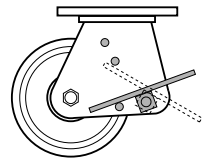
#### Wheel Lock (W)

- For swivel casters only
- A simple hand-operated parking lock
- To order, add suffix **W** to Swivel Part #



#### Foot Brake (B)

- Available for swivel casters only except XST models
- Foot-operated pedal locks swivel wheel
- To order, add suffix **B** to Swivel Part #



#### Directional Lock (D)

- For swivel casters only
- A four-station plunger lock converts swivel casters into fixed casters for straight line travel
- Increases overall height by: 1-1/2" on TST; 13/16" on XST; 1" on 2ST
- To order, add suffix **D** to Swivel Part #

