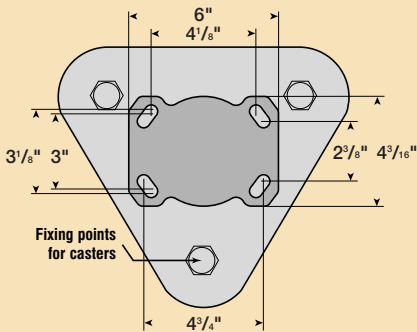


# SCENE SHIFTER

The Scene Shifter is designed for versatile use in theaters, conference centers, exhibition halls, and in schools and other institutions. Type A is fitted with Revvo 2SL Series low-profile swivel casters featuring 2" wheel sizes and an overall load capacity of 790 lbs. Type B is fitted with three Revvo 4 Series swivel casters (bolt hole style) and is offered in wheel sizes of 4" and 5" with load capacities of 790 to

### Standard Top Plate



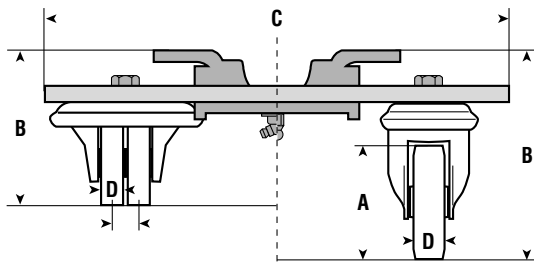
When fitting at 4-3/4" x 2-3/8" hole centers, use 1/2" diameter bolts.  
 When fitting at 4-1/8" x 3-1/8" hole centers, use 1/2" diameter bolts.



Scene Shifter Type B fitted with Revvo 4 Series, Revvothane wheel casters.



The Revvo Scene Shifter also can be fitted with low-profile, 2SL Series casters (shown with nylon wheels).



**Type A:** fitted with 2SL Series casters  
**Type B:** fitted with BS4 Series casters

A = Wheel Diameter    B = Overall Height    C = Swivel Radius    D = Tread Width

### Type A: Scene Shifter fitted with low-profile 2SL Series casters

A	B	C	D	Load Capacity	Bearing Type	Wheel Type	Swivel Part #
2"	3-3/4"	12-1/8"	9/16"	790	Plain	Nylon	2SL 050 NY0L X
2"	3-3/4"	12-1/8"	9/16"	790	Plain	Polyurethane	2SL 050 PTOL X

### Type B: Scene Shifter fitted with bolt hole BS4 Series casters

A	B	C	D	Load Capacity	Bearing Type	Wheel Type	Swivel Part #
4"	6-5/8"	17-3/16"	1-3/8"	1010	Roller	Nylon	BS4 100 NY14 X
4"	6-5/8"	17-3/16"	1-1/8"	1010	Roller	Revvothane	BS4 100 PT14 X
5"	7-5/8"	18-1/4"	1-3/8"	1010	Roller	Nylon	BS4 125 NY14 X
5"	7-5/8"	18-1/4"	1-1/2"	790	Roller	Rubber Tire	BS4 125 RU14 X
5"	7-5/8"	18-1/4"	1-1/4"	1010	Roller	Revvothane	BS4 125 PT14 X